

# armorgard volthub 4G SMS alarm set-up instructions

**If you wish to set up call and text notifications from your VoltHub in the event of a fire, please follow the below instructions. You can add up to three phone numbers you wish to receive these alerts.**

The unit is not supplied with a SIM card and the device requires a standard size card to operate. This will need to be kept maintained by the product owner/user with credit for texting and/or phone calling purposes. For this reason, we recommend using a 'contract only' SIM. Ensure the SIM card has 4G connection compatibility.

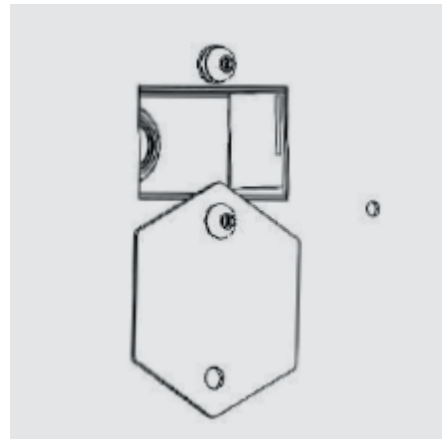
Please note that the emergency alert will only function provided there is network coverage. It is recommended to use a SIM card managed by a phone service known to have reliable network coverage in the unit's final location. To ensure the unit is in an area with suitable coverage, refer to the network signal strength on your mobile phone when finalising the VoltHub's location.

Note: An APP called 'GSM Alarm' is available on both Apple and Google Play Store to program the module. If using the APP, it will be necessary to select 'GL09' as the module type.

**To program the GSM module, complete the following steps.  
The module will need to be connected to a 12v power supply prior to starting.**

## 1. Initial set-up:

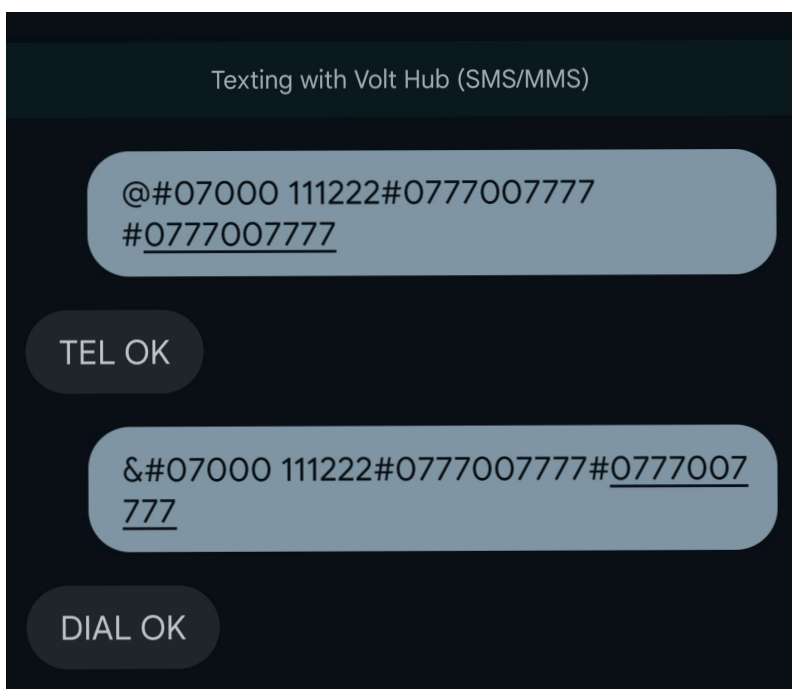
- Locate, and remove the SIM card cover panel in the top, left-hand hand locker compartment. Insert a standard size SIM card into the slot with the chip face to the left. Do not force it.
- Save the SIM cards' phone number to a mobile phone to begin programming. We recommend the SIM card number is saved into the phone's contacts as the name of the product and its location. This will allow quick identification in the event of an emergency particularly if there is more than one unit on site.
- Ensure that the rocker switch is in 'Programme' mode.



## 2. Adding phone numbers:

Please note that the module can store a maximum of three numbers only and can be set up to alert via text, phone call or both.

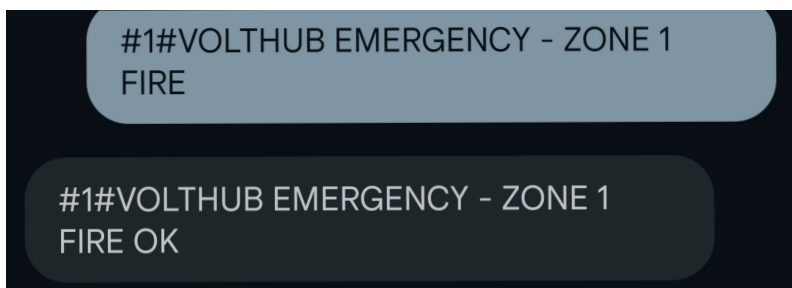
- To set up the alert via **text only**, enter phone number, prefixed by '@#'. If entering more than one number, add '#' between each number E.g. '@#07770077770#07770077770' and send to number saved for the SIM card.
- The module should reply 'TEL OK' if numbers successfully set up. See image.
- To change the numbers, simply resend the new numbers as step 1. It will overwrite the original.
- To set up the alert via **phone call only**, maximum of three numbers prefixed by '&#' with '#' between each number if entering more than one. E.g. '&#07770077770#07770077770'.
- The module should reply 'TEL OK' if the numbers are successfully set up. See image.



### 3. Adding alert SMS message:

This is the message the phone numbers set up in step 2 will receive in an emergency, and needs to be clear and easily understood. If one or more phones are monitoring more than one VoltHub, remember to provide a clear distinction between units to avoid confusion between them in the case of an emergency, as described in step 1.

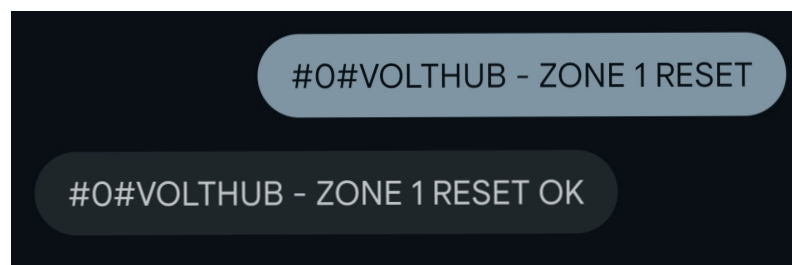
- To add the message, enter '#1#' followed by the text message, for example - '#1#VOLTHUB EMERGENCY - ZONE 1 FIRE'
- Module will respond with a repeat of the message entered followed by 'OK'. See image.



### 4. Adding alert reset SMS message:

The unit is supplied with a reset button, for use by the emergency services and other responsible personnel for resetting the smoke detector. If the system is successfully reset, it will send an SMS message to confirm that there is no longer an emergency.

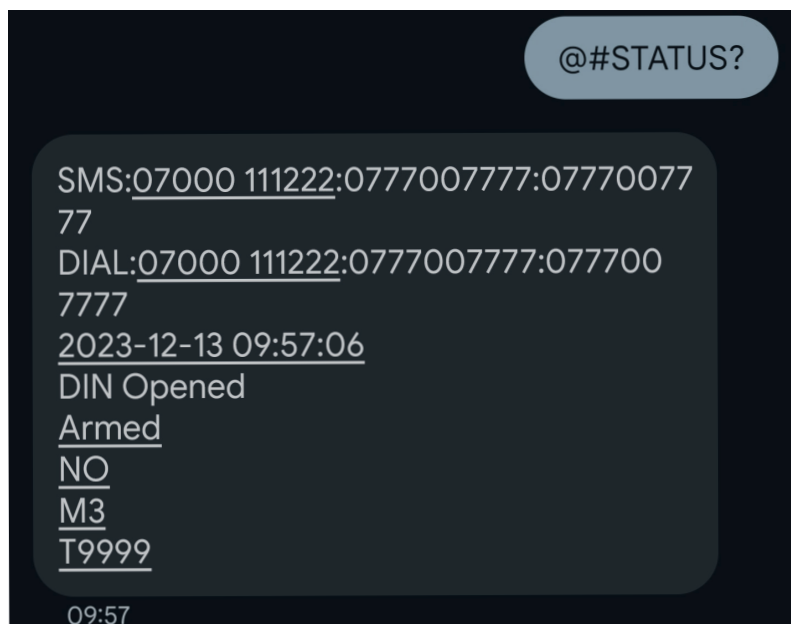
- To alter this, enter '#0#' followed by the text message E.g. '#0#VOLTHUB - ZONE 1 RESET'
- Module will respond with a repeat of the message entered followed by 'OK'. See image.



## 5. Request status report:

It is possible to request a status report at any time to ensure correct functionality of the system, verify settings and signal quality.

- Enter '@#STATUS?'
- Module will respond with report to confirm correct operation. See image.



## 6. Timer for auto status report:

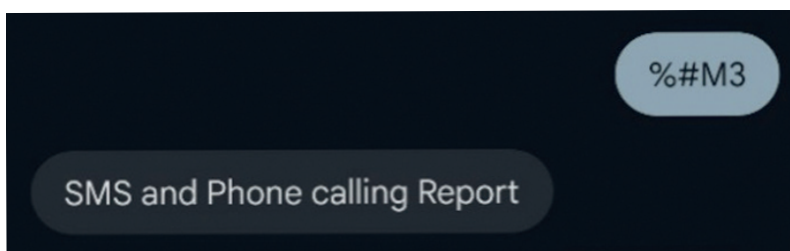
Device will report a status SMS to the first number set up in the module. Module is programmed to minutes, and maximum timer duration between reports is 9999 minutes. The module is preset to give an update once a week. To alter or disable this function follow the steps below.

- Enter the number of minutes prefixed by '%#T', so two hours would be '%#T120'.
- Module will respond 'T IS 0120' or however many minutes set to confirm timer length.  
To disable this setting, enter '%#0'.

## 7. Alarm functioning mode:

The module has three operational modes to send alerts as referred to in step 2. It is possible to change the modes without changing the phone numbers as follows.

- Enter '%#M1' to receive only text alert message.
- Module will respond 'Only SMS Report'.
- Enter '%#M2' to receive only phone alerts.
- Module will respond 'Only Phone Report'.
- Enter '%#M3' to receive both text and phone alerts.
- Module will respond 'SMS And Phone Report'.



## 8. Low voltage threshold warning:

The battery backup system within the VoltHub uses a 12v DC supply. The module will send an alert to warn when the battery voltage drops below a pre-set voltage.

- Enter '%#LV' followed by the voltage drop threshold, e.g. '%#LV11'.
- Module will respond 'Low Voltage Alert Limit is 11.0'.

## 9. Input port configuration:

Each of the eight input ports will operate as either NO or NC and can be set up as either. Set the ports as follows:

- Enter '\*\*NC12345678' to set all ports to NC, or for example, '\*\*NC1458' to set only ports 1, 4, 5 and 8 to NC.
- To set ports to NO, enter '\*\*NO' followed by the port number. Or, to set all ports to NO, input '\*NC0'.

## 10. Request data log:

It is possible to request a data log of the last 100 data records stored.

Enter '@#LOG' followed by the number of previous logs required for example, '@#LOG10'. Up to 4 records can be sent back in every SMS message, so to see the full report of 100 records, the module will respond with 25 SMS messages.

## 11. Arming/disarming module for maintenance:

It is possible to disarm the module without interfering with the programming for maintenance purposes for either 10 minutes or 60 minutes. Please note, the VoltHub will always be supplied in the 'armed' mode as standard.

- To disarm the module for 10 minutes, use the SIM phone number to call the device and hang up after one or two ring back tones have been heard.
- To disarm the module for 60 minutes, call the device and keep the call open until the device closes the call.
- In both cases, module will respond with 'Disarmed'.
- To re-arm module, enter '@#ARM1'.
- Module will respond with 'Armed'.

## 12. Final set-up:

Before leaving the GSM module after programming, the rocker switch will need switching over to 'Operation' mode. This prevents any unwanted interference.

» Should there be any questions with these instructions, please get in touch with Armorgard.

