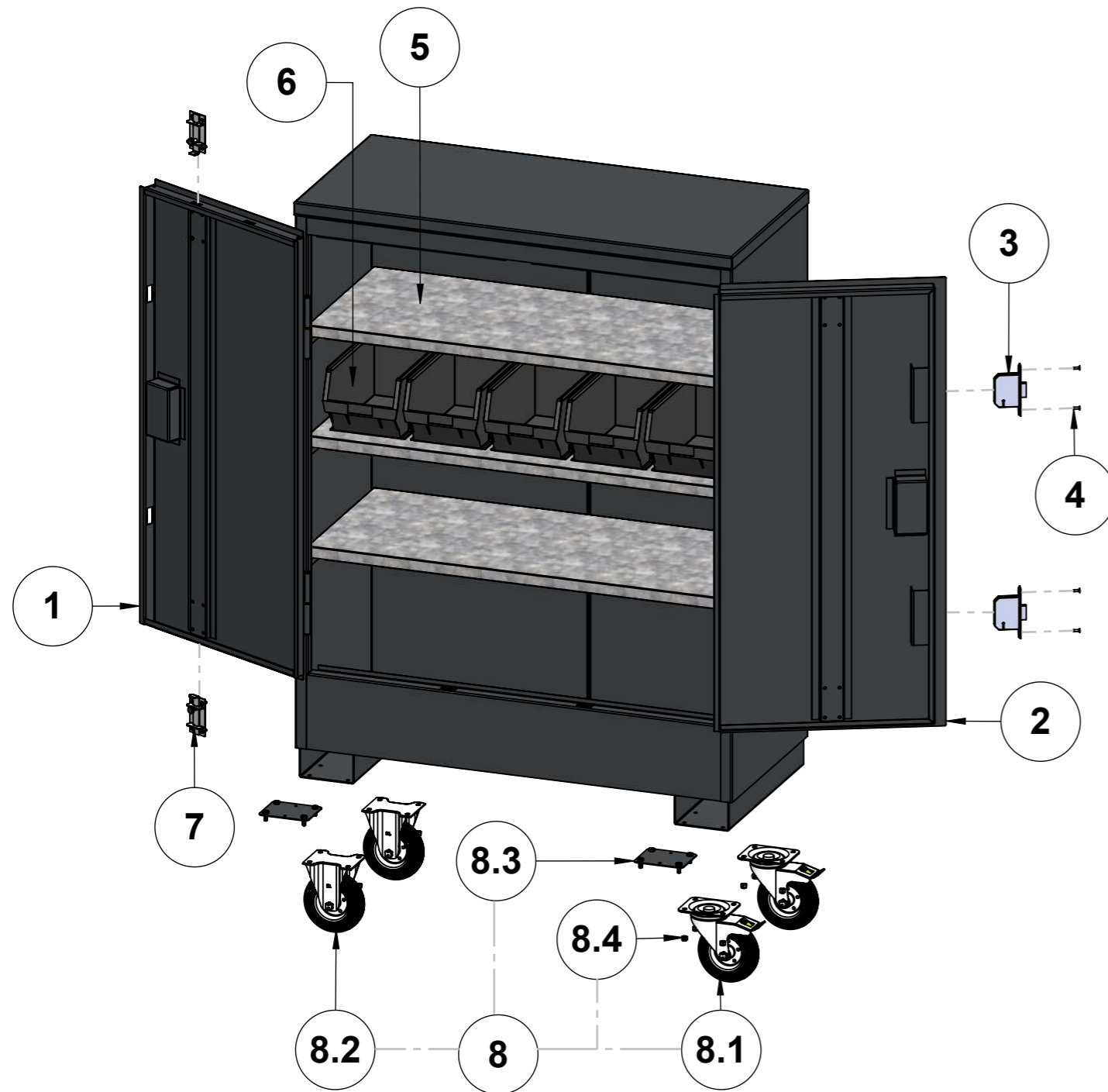


# SPARE PARTS GUIDE



ITEM NO.	DESCRIPTION	PART #	REFERENCE IMAGE
1	FITTINGSTOR FC-LHD LEFT REPLACEMENT DOOR FOR FC3/FC4, BOLT-ON; EXCLUDES HINGES AND LATCHES	FC-LHD-B	
2	FITTINGSTOR FC-RHD-B RIGHT REPLACEMENT DOOR FOR FC3/FC4, BOLT-ON; EXCLUDES HINGES, LATCHES AND LOCKS	FC-RHD-B	
3	LOCK - PAIR OF 5-LEVER FORTRESS DEADLOCKS, COMES WITH 6 KEYS	LOCK-DL2	
4	BOLT - M5X16 SOCKET COUNTERSUNK SCREW, ZINC PLATED (HIGH TENSILE GRADE 10.9)	BLT-M5X16-H	
5	SHELF - GALVANISED, COMES WITH 4 BRACKETS, FOR TSC3, FSC3, FC3	SHE-C3	
6	LIN BIN FOR FC RANGE 205X350X178	FCB	
7	LATCH - FLAT SCREW-ON FOR DOORS, ZINC COATED	LCH-1-FLT	
8	CASTOR SET - 160mm BLACK WHEELS: 2X SWIVEL BRAKED, 2X FIXED; 4X CASTER PLATES, 16X M8 NYLOCS	CASS1	
8.1	CASTOR - 160MM BLACK RUBBER ON STEEL, SWIVEL BRAKED, 135KG CAPACITY	CAS160-SS-SB	
8.2	CASTOR - 160MM BLACK RUBBER ON STEEL, FIXED, 135KG CAPACITY	CAS160-SS-FX	
8.3	CASTOR - FIXING PLATE	CAS-CP	
8.4	FIXING KIT - COMES WITH 16X M8 NYLOCS	M8-NUT-KIT	



PRODUCT NAME:  
**FITTINGSTOR - FC3**

PRODUCT VERSION:  
P01

WEIGHT:  
168KG

NOTES:

LAST DATE SAVED:

14/02/2025

THIS DRAWING MAY NOT BE COPIED, PUBLISHED OR TRANSMITTED TO A THIRD PARTY WITHOUT THE PRIOR WRITTEN CONSENT OF ARMORGARD LIMITED.

SPARE PARTS GUIDE

PRODUCT COLOUR:  
RAL7021 DARK GREY

LEAD TIMES MAY VARY – PLEASE ENQUIRE