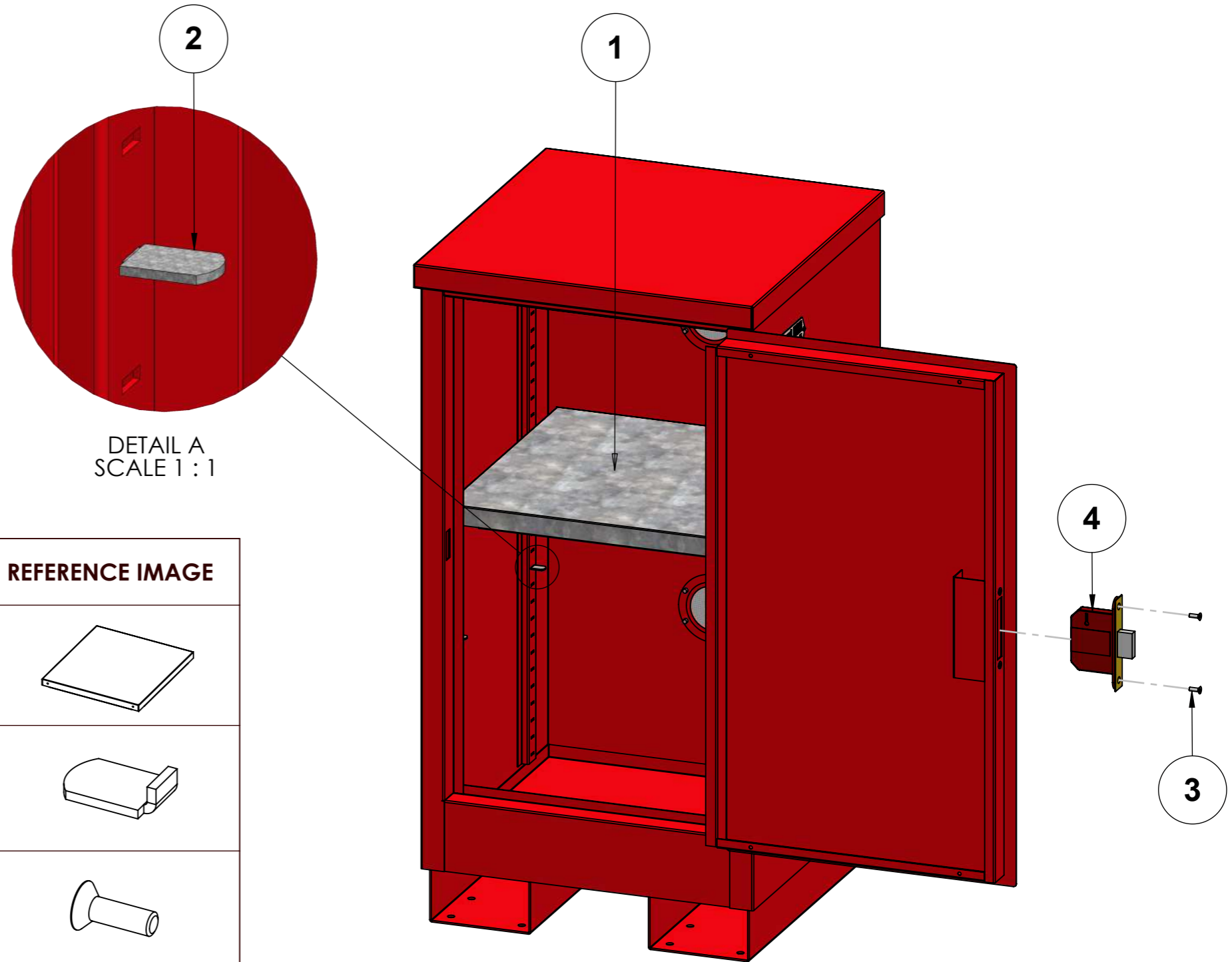


# SPARE PARTS GUIDE



ITEM NO.	DESCRIPTION	PART #	REFERENCE IMAGE
1	SHELF - GALVANISED, COMES WITH 4 BRACKETS, FOR TSC1, FSC1	SHE-C1	
2	SHELF - BRACKET SET ONLY, COMES WITH 12 BRACKETS, FOR TSC, FSC, FC RANGES	SHE-CB	
3	BOLT- M5X16 SOCKET COUNTERSUNK SCREW, ZINC PLATED (HIGH TENSILE GRADE 10.9)	BLT-M5X16-H	
4	LOCK - SINGLE 5-LEVER DEADLOCK, COMES WITH 3 KEYS	LOCK-DL1	



PRODUCT NAME:  
**FLAMSTOR CABINET - FSC1**

PRODUCT VERSION: P01  
WEIGHT: 45KG

NOTES:

LAST DATE SAVED:  
09/01/2025

THIS DRAWING MAY NOT BE COPIED, PUBLISHED OR TRANSMITTED TO A THIRD PARTY WITHOUT THE PRIOR WRITTEN CONSENT OF ARMORGARD LIMITED.

SPARE PARTS GUIDE

PRODUCT COLOUR:  
RAL3020 RED

LEAD TIMES MAY VARY – PLEASE ENQUIRE

**PAGE 1 of 1**