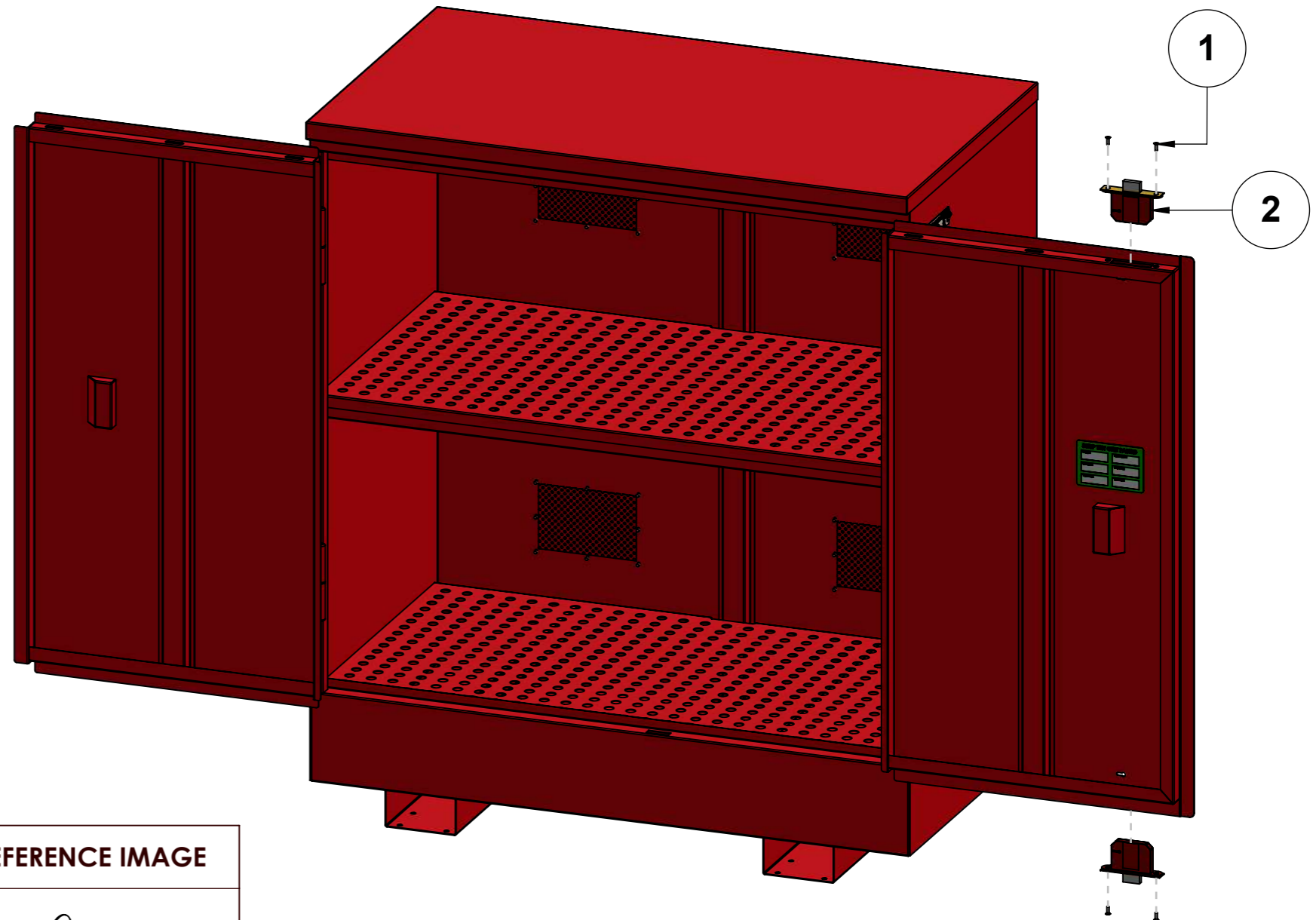
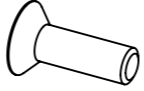
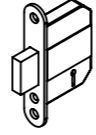


SPARE PARTS GUIDE



ITEM NO.	DESCRIPTION	PART #	REFERENCE IMAGE
1	BOLT- M5X16 SOCKET COUNTERSUNK SCREW, ZINC PLATED (HIGH TENSILE GRADE 10.9)	BLT-M5X16-H	
2	LOCK - PAIR OF 5-LEVER DEADLOCK, COMES WITH 4 KEYS	LOCK-DL2	



PRODUCT NAME:
FLAMSTOR CABINET - FSC4

PRODUCT VERSION: P01
WEIGHT: 162kg

NOTES:

LAST DATE SAVED:
09/01/2025

THIS DRAWING MAY NOT BE COPIED, PUBLISHED OR TRANSMITTED TO A THIRD PARTY WITHOUT THE PRIOR WRITTEN CONSENT OF ARMORGARD LIMITED.

SPARE PARTS GUIDE

PRODUCT COLOUR:
RAL3020 RED

LEAD TIMES MAY VARY – PLEASE ENQUIRE