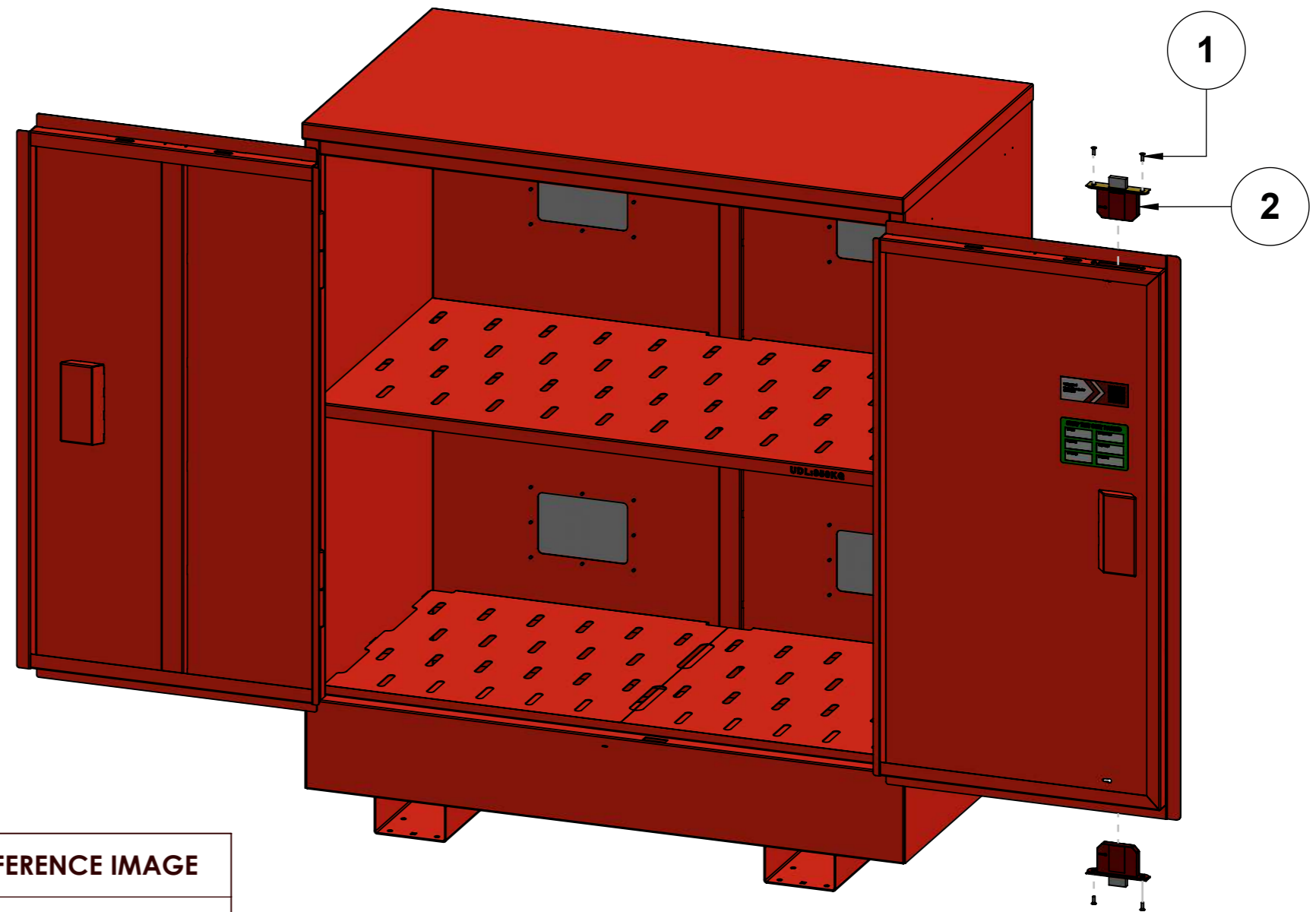
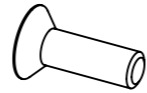
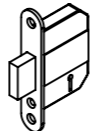


# SPARE PARTS GUIDE



| ITEM NO. | DESCRIPTION   | PART #      | REFERENCE IMAGE   |
|----------|---|-------------|---|
| 1        | BOLT- M5X16 SOCKET COUNTERSUNK SCREW, ZINC PLATED (HIGH TENSILE GRADE 10.9) | BLT-M5X16-H |  |
| 2        | LOCK - PAIR OF 5-LEVER DEADLOCK, COMES WITH 4 KEYS                          | LOCK-DL2    |  |



PRODUCT NAME:  
**FLAMSTOR CABINET - FSC4**

PRODUCT VERSION: P02  
WEIGHT: 155KG

NOTES:

LAST DATE SAVED:  
15/10/2025

THIS DRAWING MAY NOT BE COPIED, PUBLISHED OR TRANSMITTED TO A THIRD PARTY WITHOUT THE PRIOR WRITTEN CONSENT OF ARMORGARD LIMITED.

SPARE PARTS GUIDE

PRODUCT COLOUR:  
RAL3020 RED

LEAD TIMES MAY VARY – PLEASE ENQUIRE

**PAGE 1 of 1**