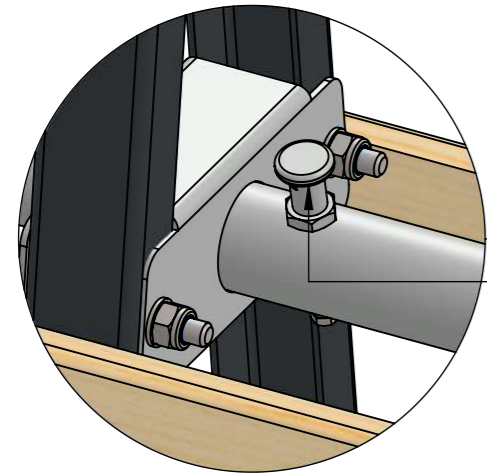
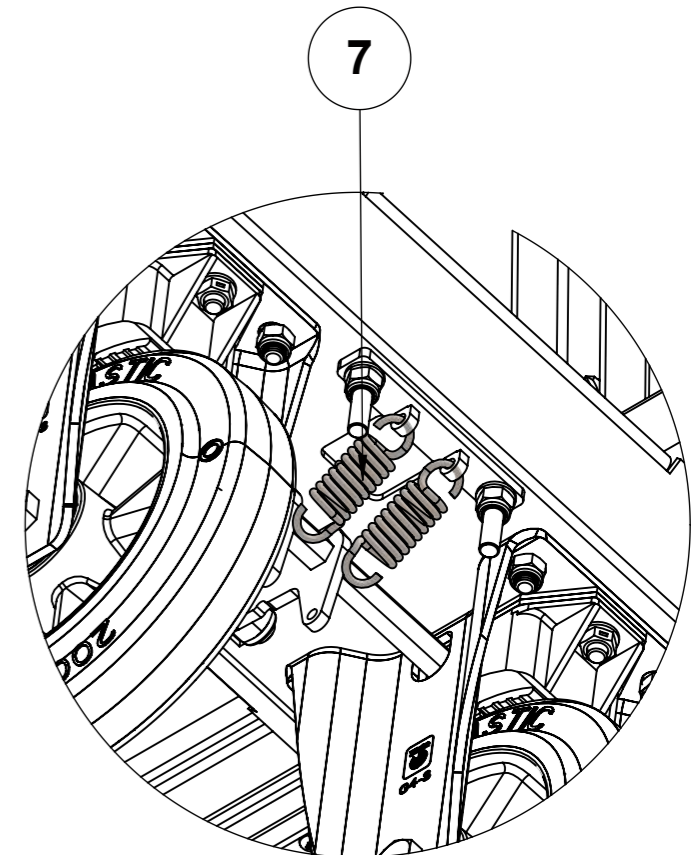
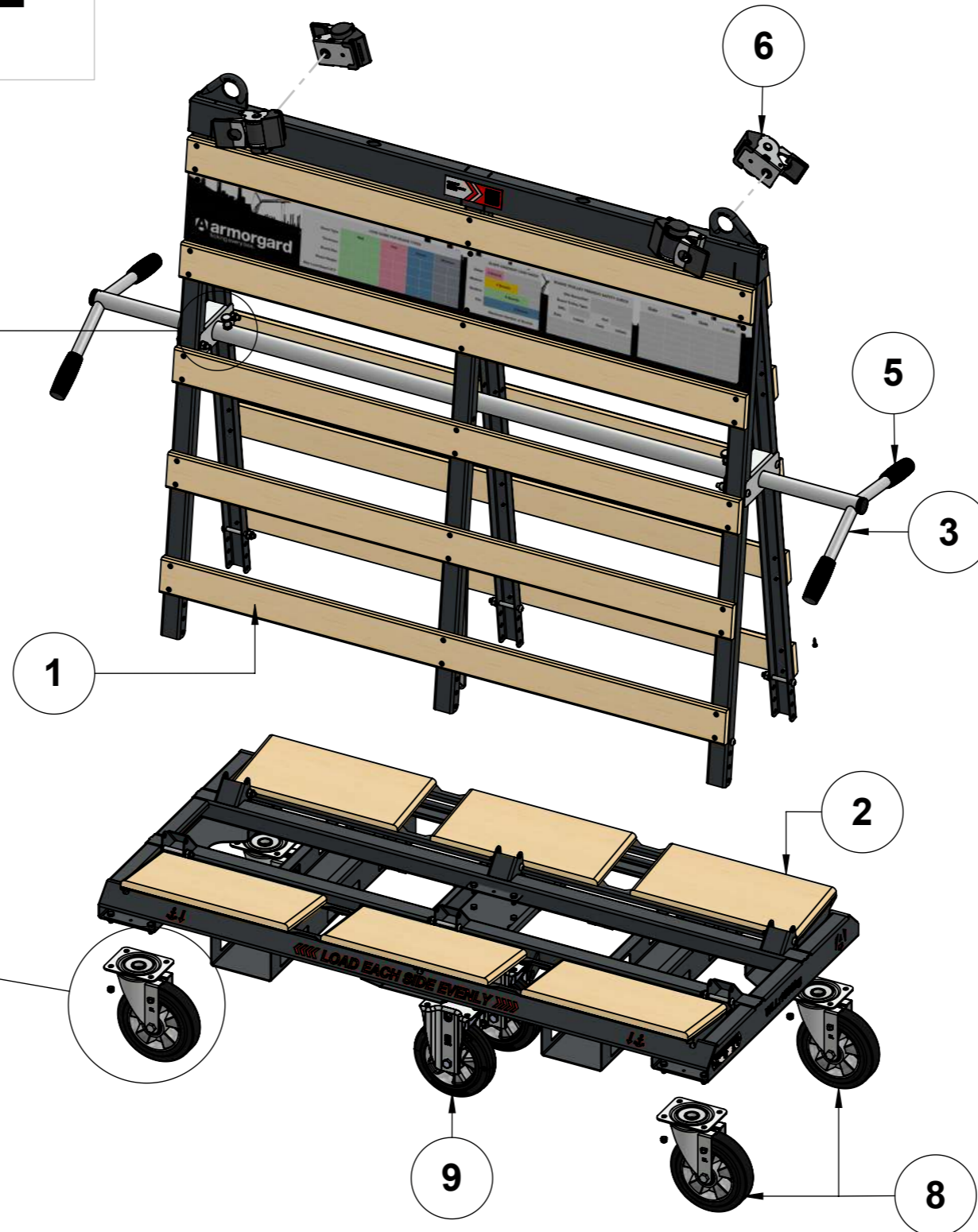


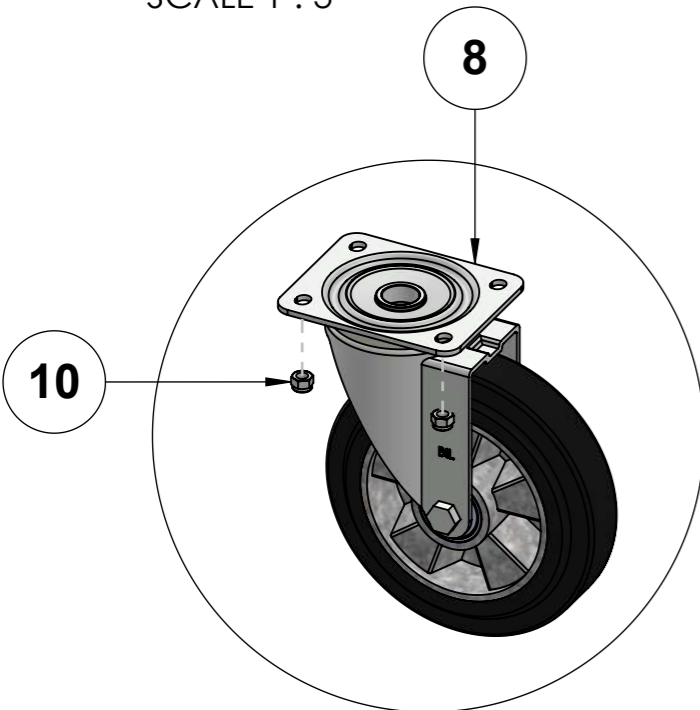
SPARE PARTS GUIDE



DETAIL B
SCALE 1 : 3



BOTTOM VIEW
BRAKE SYSTEM



DETAIL A
SCALE 1 : 5



PRODUCT NAME:
**LOADALL LA1500-PRO
& LA1500-PROOR**

PRODUCT VERSION: P04
WEIGHT: 132kg

NOTES:

LAST DATE SAVED:

28/01/2025


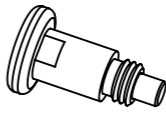

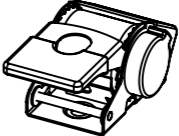
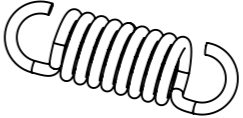
THIS DRAWING MAY NOT BE COPIED, PUBLISHED OR TRANSMITTED TO A THIRD PARTY WITHOUT THE PRIOR WRITTEN CONSENT OF ARMORGARD LIMITED.

SPARE PARTS GUIDE

PRODUCT COLOUR:
RAL7021 DARK GREY &
RAL2004 ORANGE

LEAD TIMES MAY VARY – PLEASE ENQUIRE

PAGE 1 of 2

ITEM NO.	DESCRIPTION	PART #	REFERENCE IMAGE
1	LOADALL LA1500-SLT "A" FRAME WOOD SLAT, 1500W X 87D X 18H	LA-1500-SLT	
2	LOADALL LA1500-PRO BASE WOOD BOARD 195 X 440 X 18 mm	LA1500-BRD3	
3	LOADALL LA1500-PROHDL PRO A-FRAME BOARD TROLLEY HANDLE KIT	LA1500-PROHDL	
4	INDEX PLUNGER, METAL BODY, 24mm HEAD DIAMETER, M12 X 1.75mm THREAD, 7mm PLUNGER PIN DIAMETER	M12-IDX-PGR	
5	HANDLE - BLACK RUBBER GRIP HANDLE, 100mm LENGTH, 25mm DIAMETER	IDX-PGR-M12	
6	RATCHET STRAP - AUTO-RETRACTABLE, COMES WITH FIXINGS, 1500KG 3M X 50MM	RTCH-STP3-50-K	
7	EXTENSION SPRING - ZINC COATED, 19MM RATE 27.9NMM L57MM (LE125G02)	SPRG-1957	
8	CASTOR - 200mm BLACK RUBBER ON ALUMINIUM, SWIVEL, 500KG CAPACITY	CAS200-SS-SW	
9	CASTOR - 200mm BLACK RUBBER ON ALUMINIUM, DEADMAN BRAKED, 500KG CAPACITY	CAS200-SS-DB	
10	FIXING KIT - COMES WITH 16X M8 NYLOCS	M8-NUT-KIT	