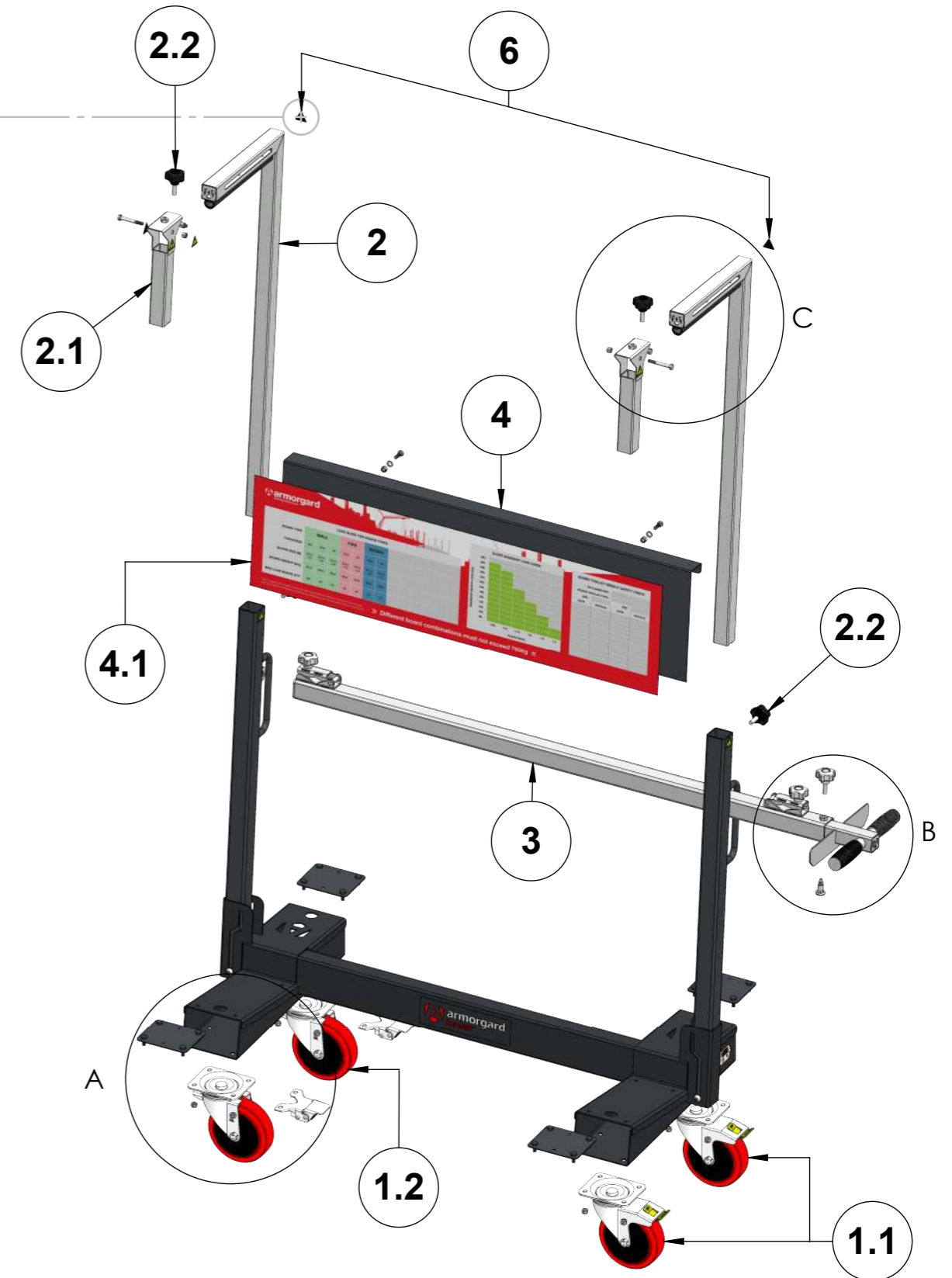
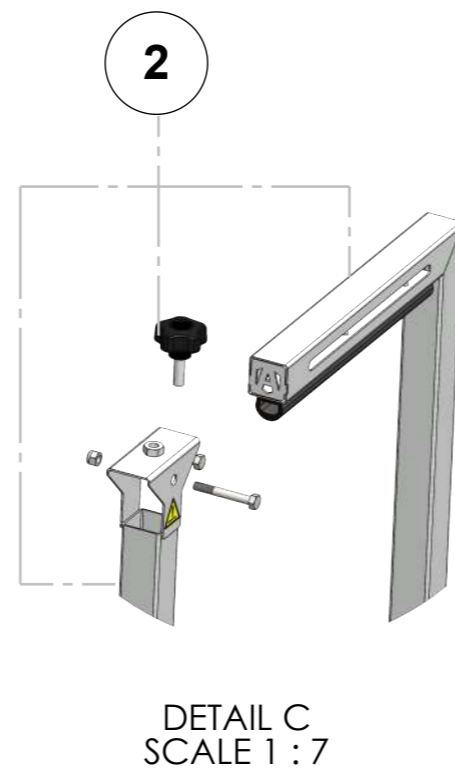
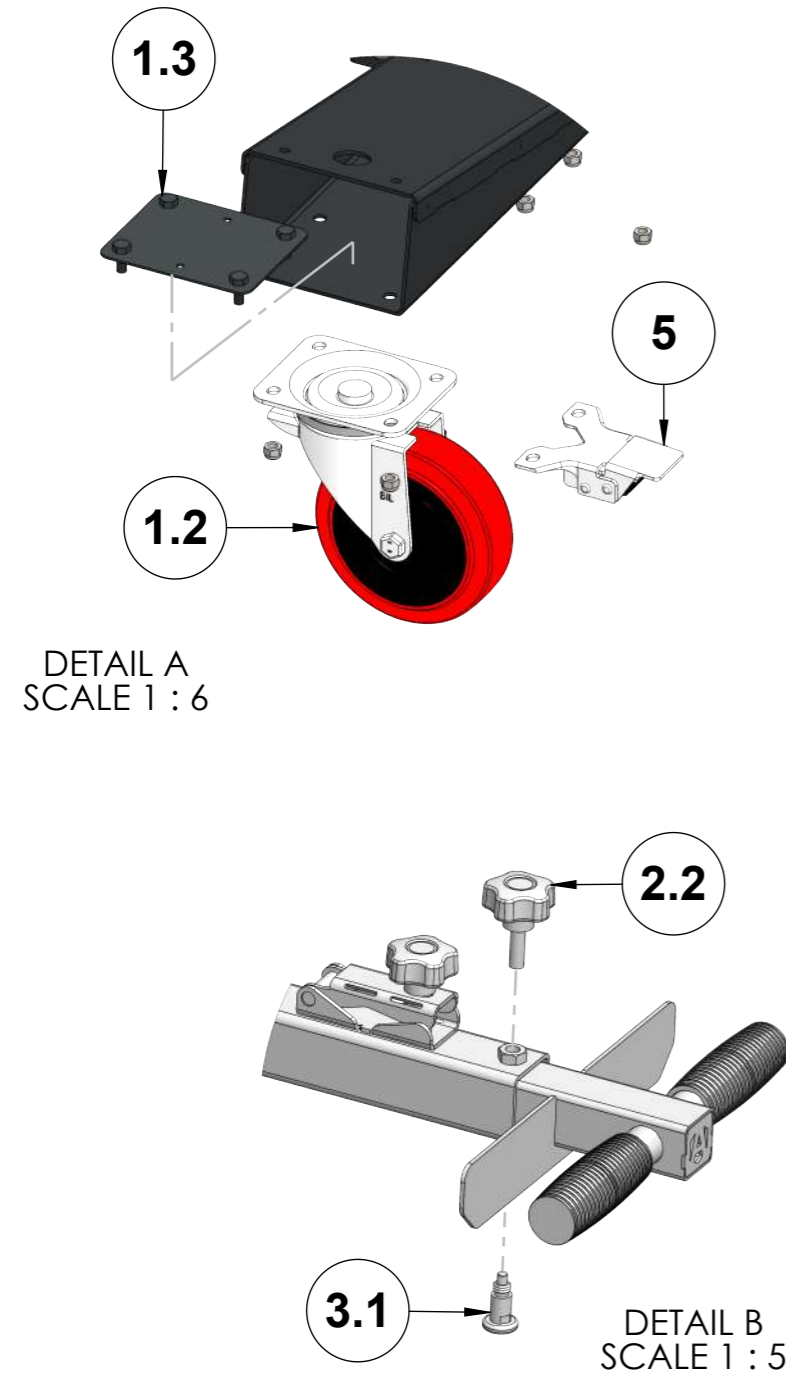


# SPARE PARTS GUIDE



PRODUCT NAME:  
**LOADALL LA750-PRO**

PRODUCT VERSION: P02  
WEIGHT: 73KG

NOTES:

LAST DATE SAVED:  
20/03/2026

THIS DRAWING MAY NOT BE COPIED, PUBLISHED OR TRANSMITTED TO A THIRD PARTY WITHOUT THE PRIOR WRITTEN CONSENT OF ARMORGARD LIMITED.

SPARE PARTS GUIDE

PRODUCT COLOUR:  
RAL7021 DARK GREY

LEAD TIMES MAY VARY – PLEASE ENQUIRE

**PAGE 1 of 2**

ITEM NO.	DESCRIPTION	PART #	REFERENCE IMAGE
1	<b>CASTOR SET - 160mm RED HD WHEELS: 2X SWIVEL BRAKED, 2X SWIVEL; 4X CASTOR PLATES, 16X M8 NYLOCS</b>	<b>CASHD2</b>	
1.1	CASTOR - 160mm RED HD RUBBER ON NYLON, SWIVEL BRAKED, 350KG CAPACITY	CAS160HD-SS-SB	
1.2	CASTOR - 160mm RED HD RUBBER ON NYLON, SWIVEL, 350KG CAPACITY	CAS160HD-SS-SW	
1.3	CASTOR - FIXING PLATE	CAS-CP	
2	<b>LOADALL LA750-CK PRO CLAMP KIT, COMES WITH 2X L-FRAMES, 2X SHEET STOPS, 4X M10 STAR SCREWS</b>	<b>LA750-CK</b>	
2.1	LOADALL LA750-PRO-SS SHEET STOP X 1 PAIR COMPLETE WITH STAR SCREWS AND RETAINING BOLTS	LA750-SS	
2.2	M10 X 30mm STAR HANDLED CLAMPING SCREW	SCR-M10X30-STR	
3	<b>LOADALL LA750-HK PRO HANDLE SET, COMES WITH 1X HANDLE ASSEMBLY, 1X INDEX PLUNGER, 3X M10 STAR SCREWS</b>	<b>LA750-HK</b>	
3.1	INDEX PLUNGER, METAL BODY, 24mm HEAD DIAMETER, M12 X 1.75mm THREAD, 7mm PLUNGER PIN DIAMETER	M12-IDX-PGR	
4	<b>LOADALL LA750-SK SIGN KIT, COMES WITH PRE-APPLIED LABEL, 2X M8X25 BOLTS, 2X M8 NUTS &amp; 2X M8 WASHERS</b>	<b>LA750-SK</b>	
4.1	LOADALL LA750-SK-LBL SIGN KIT LABEL	LA750-SK-LBL	
5	<b>DIRECTIONAL LOCK ADAPTER FOR SWIVEL CASTERS (105MMX80/75MM HOLE CENTRES)</b>	<b>CAS-DLF</b>	
6	<b>LABEL - TRIANGULAR YELLOW PINCH POINT WARNING 40W X 40H</b>	<b>LBL-PINCH1</b>	