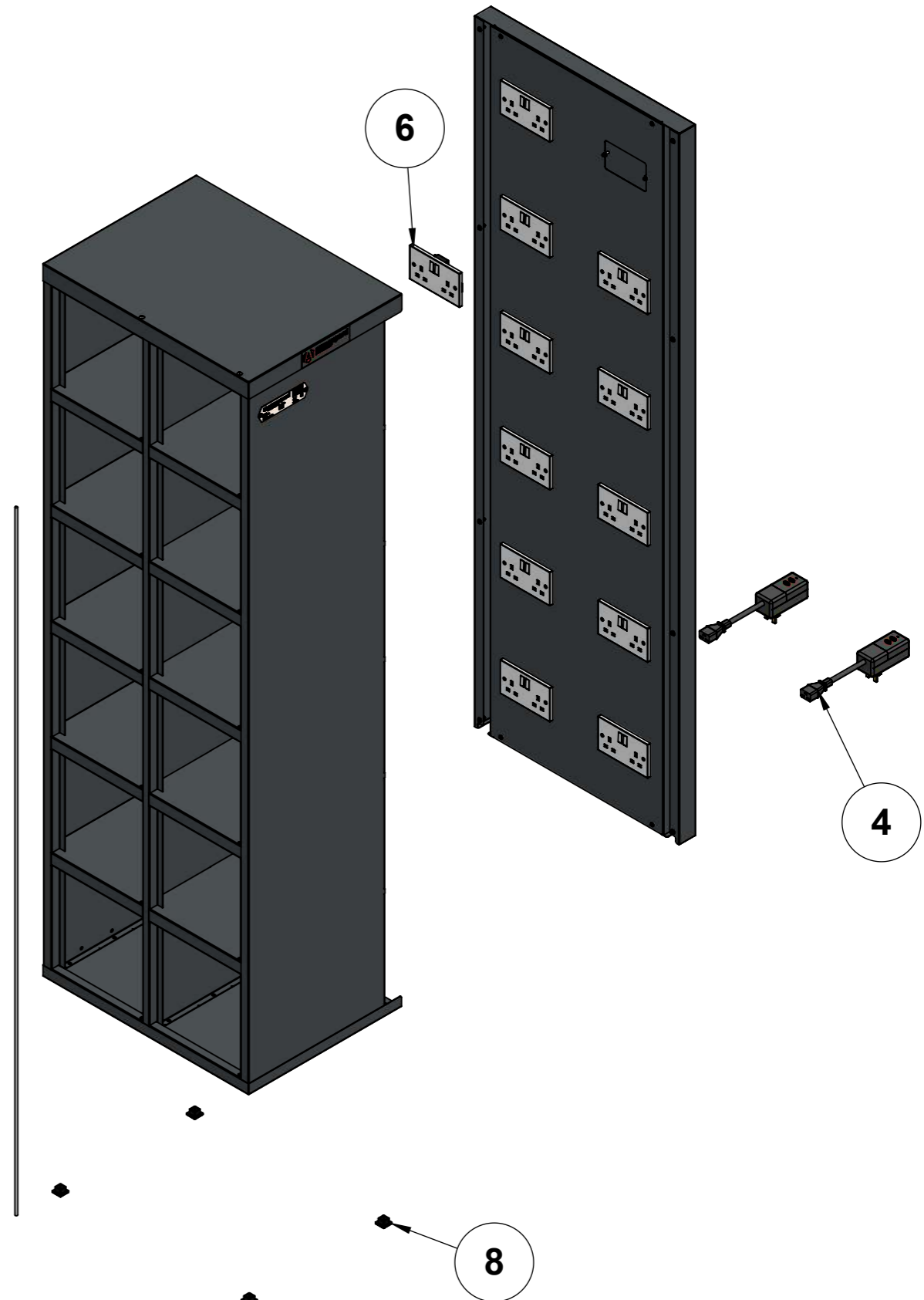
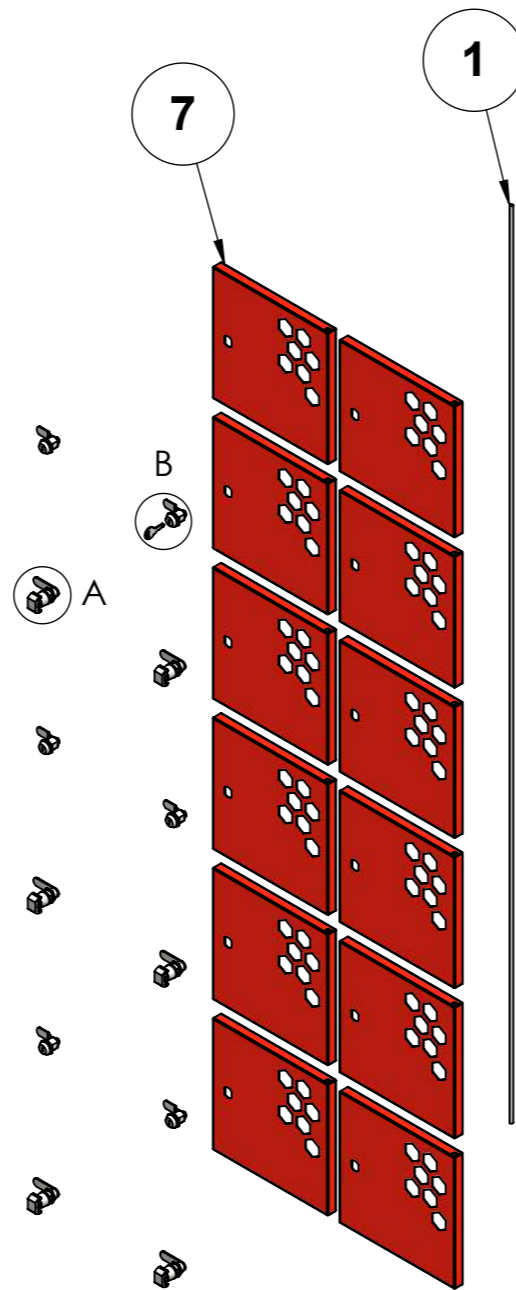
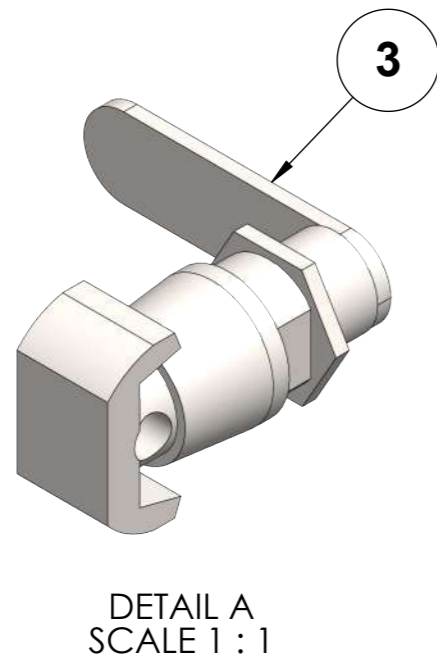
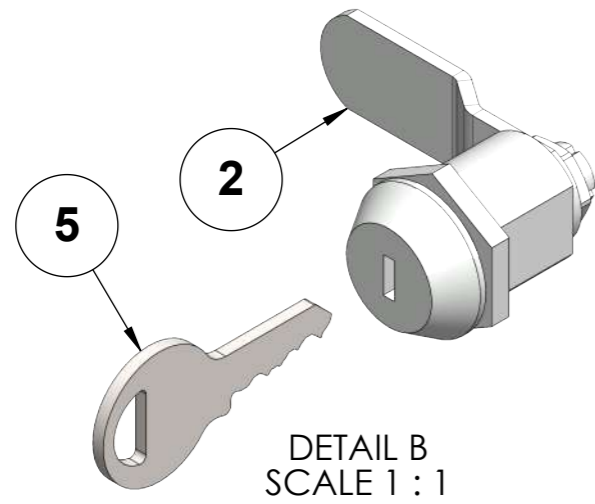


SPARE PARTS GUIDE



PRODUCT NAME:
POWERSTATION - PWS12

PRODUCT VERSION: P02
WEIGHT: 76KG

NOTES:

LAST DATE SAVED:
22/10/2024

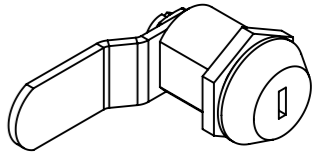
THIS DRAWING MAY NOT BE COPIED, PUBLISHED OR TRANSMITTED TO A THIRD PARTY WITHOUT THE PRIOR WRITTEN CONSENT OF ARMORGARD LIMITED.

SPARE PARTS GUIDE

PRODUCT COLOUR:
RAL7021 DARK GREY
RAL3020 RED

LEAD TIMES MAY VARY – PLEASE ENQUIRE

PAGE 1 of 2

ITEM NO.	DESCRIPTION	PART #	REFERENCE IMAGE
1	POWERSTATION PWS-ROD HINGE ROD, SINGLE	PWS-ROD	
2	LOCK - SERIES CC LOCK FOR POWERSTATION, COMES WITH 2 KEYS.	LOCK-CAM	
3	LOCK - CAM LOCK, FOR PADLOCK	LOCK-PAD	
4	CABLE - 13A, 240V, TYPE G, RCD PROTECTED PLUG AND IEC 19 PLUG SUPPLY LEAD.	PLG-RCD-IEC	
5	KEY - SINGLE FOR POWERSTATION.	KEY-PWS	
6	SOCKET - PLASTIC 13A, 240V, TYPE G, 2 GANG DOUBLE POLE SWITCHED SOCKET, WHITE.	SOC-240-DOM-P	
7	POWERSTATION PWS-DP DOOR PANEL, SINGLE	PWS-DP	
8	FOOT - 25mm SINGLE END CAP.	CAP-25B	