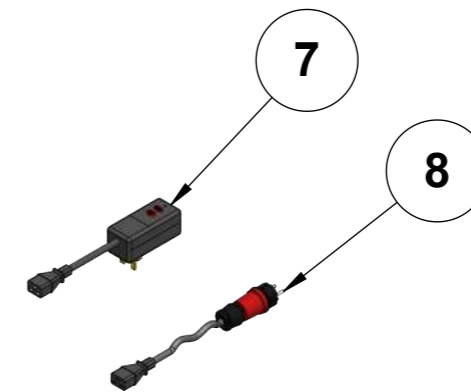
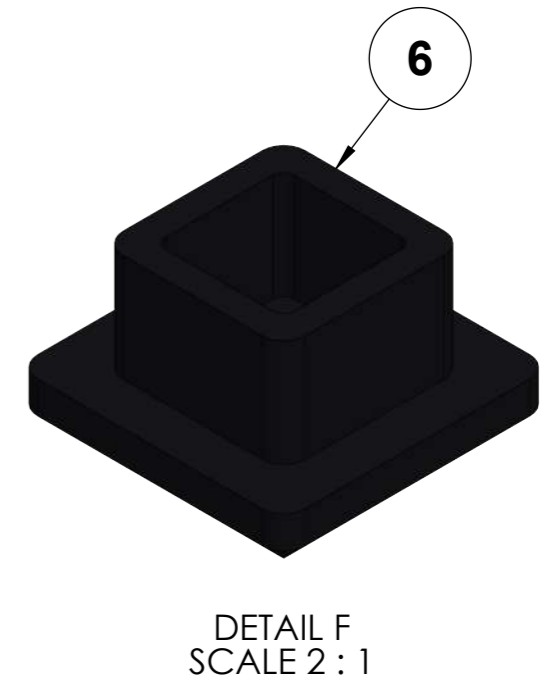
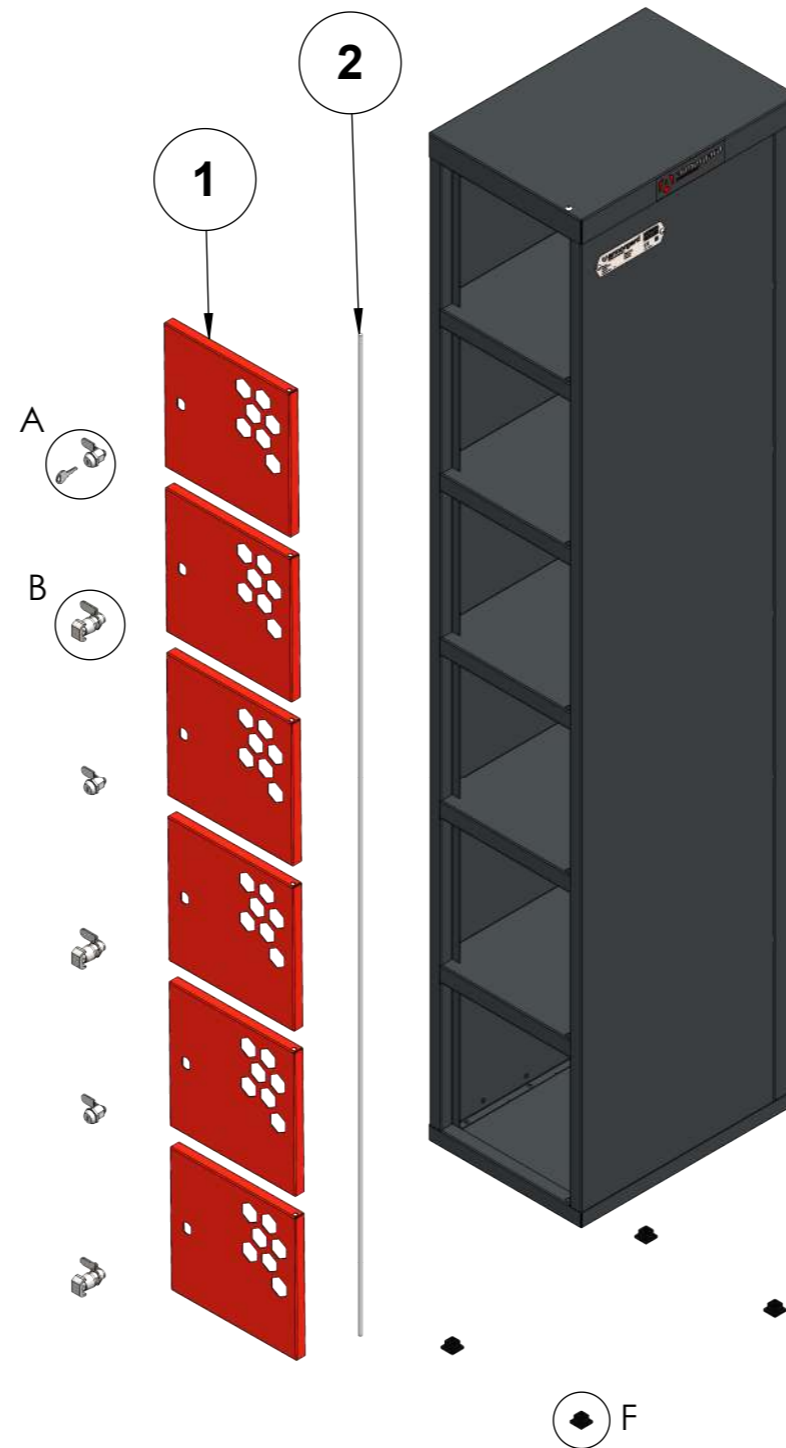
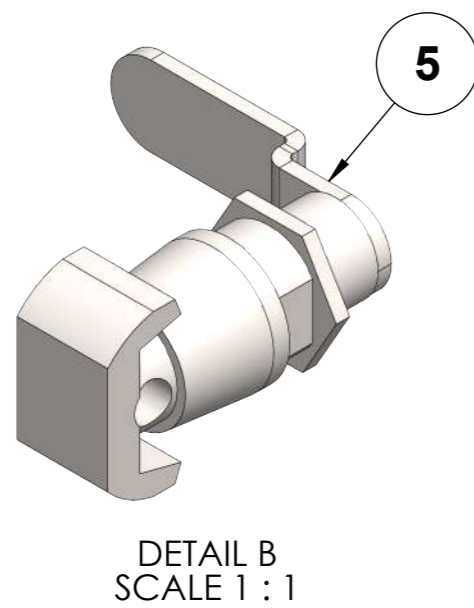
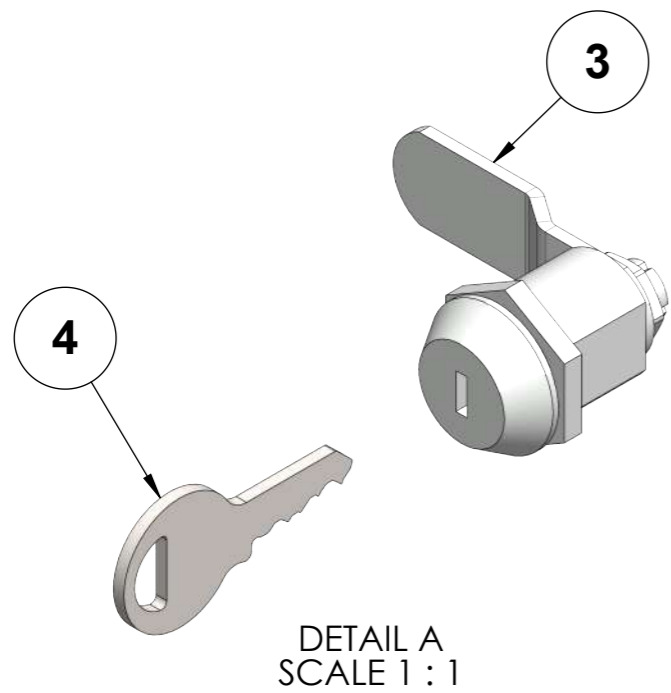


SPARE PARTS GUIDE



PRODUCT NAME:
**POWERSTATION 6-
PWS6**

PRODUCT VERSION:
P02

WEIGHT:
45KG

NOTES:

LAST DATE SAVED:
13/03/2025

THIS DRAWING MAY NOT BE COPIED, PUBLISHED OR TRANSMITTED TO A THIRD PARTY WITHOUT THE PRIOR WRITTEN CONSENT OF ARMORGARD LIMITED.

SPARE PARTS GUIDE

PRODUCT COLOUR:
RAL7021 DARK GREY
RAL3020 RED

LEAD TIMES MAY VARY – PLEASE ENQUIRE

PAGE 1 of 2

ITEM NO.	DESCRIPTION	PART #	REFERENCE IMAGE
1	POWERSTATION PWS-DP LOCKER DOOR, EXCLUDES LOCK	PWS-DP	
2	POWERSTATION PWS-ROD HINGE ROD	PWS-ROD	
3	LOCK - SERIES CC LOCK FOR POWERSTATION, COMES WITH 2 KEYS	LOCK-CAM	
4	KEY - SINGLE, FOR POWERSTATION	KEY-PWS	
5	LOCK - CAM LOCK, FOR PADLOCK	LOCK-PAD	
6	FEET - 25mm SINGLE END CAP	CAP-25B	
7	LEAD - 3.0m 3 CORE FLEX CABLE LOOM, WITH RCD TYPE G PLUG AND IEC C19 FEMALE SOCKET	PLG-RCD-IEC	
8	LEAD - 3.0m 3 CORE FLEX CABLE LOOM, WITH TYPE F PLUG AND IEC C19 FEMALE SOCKET	PLG-EU-IEC	