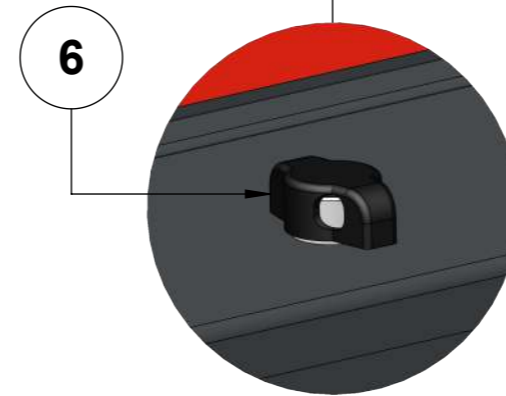
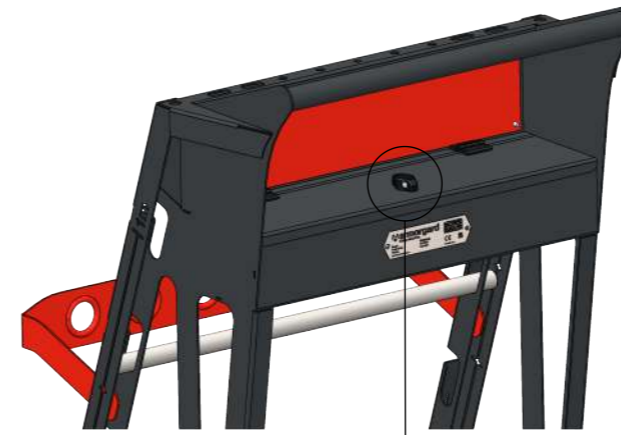
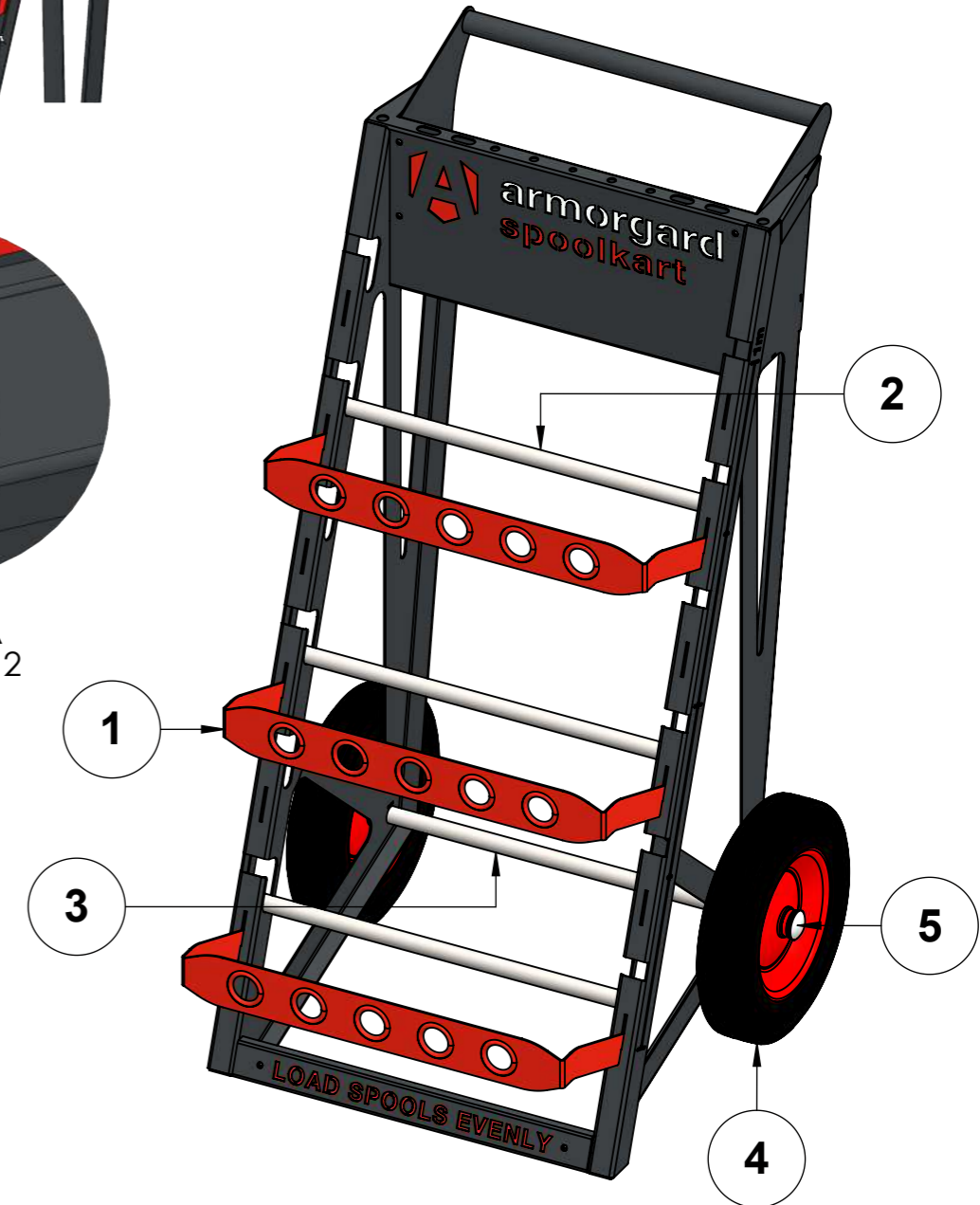


SPARE PARTS GUIDE



DETAIL A
SCALE 1 : 2



ITEM NO.	DESCRIPTION	PART #	REFERENCE IMAGE
1	SPOOLKART SPK-ATB5 ANTI-TANGLE BAR	SPK-ATB5	
2	SOLID METAL BAR - MILD STEEL ZINC COATED, 630MM (LENGTH) X 25MM (DIAMETER)	AXL-630	
3	SOLID METAL BAR - MILD STEEL ZINC COATED, 735MM (LENGTH) X 25MM (DIAMETER)	AXL-735	
4	WHEEL - 350MM BLACK RUBBER ON RED STEEL, 300KG CAPACITY	WHL350	
5	WASHER - STAR CAP CLOSED RETAINER M25, (FOR AXLES)	WAS-M25-C	
6	LOCK - CAM LOCK, FOR PADLOCK	LOCK-PAD	



PRODUCT NAME:
SPOOLKART - SPK2

PRODUCT VERSION:
P01

WEIGHT:
52kg

NOTES:

LAST DATE SAVED:

23/09/2024

THIS DRAWING MAY NOT BE COPIED, PUBLISHED OR TRANSMITTED TO A THIRD PARTY WITHOUT THE PRIOR WRITTEN CONSENT OF ARMORGARD LIMITED.

SPARE PARTS GUIDE

PRODUCT COLOUR:
RAL7021 DARK GREY

LEAD TIMES MAY VARY – PLEASE ENQUIRE

PAGE 1 of 1