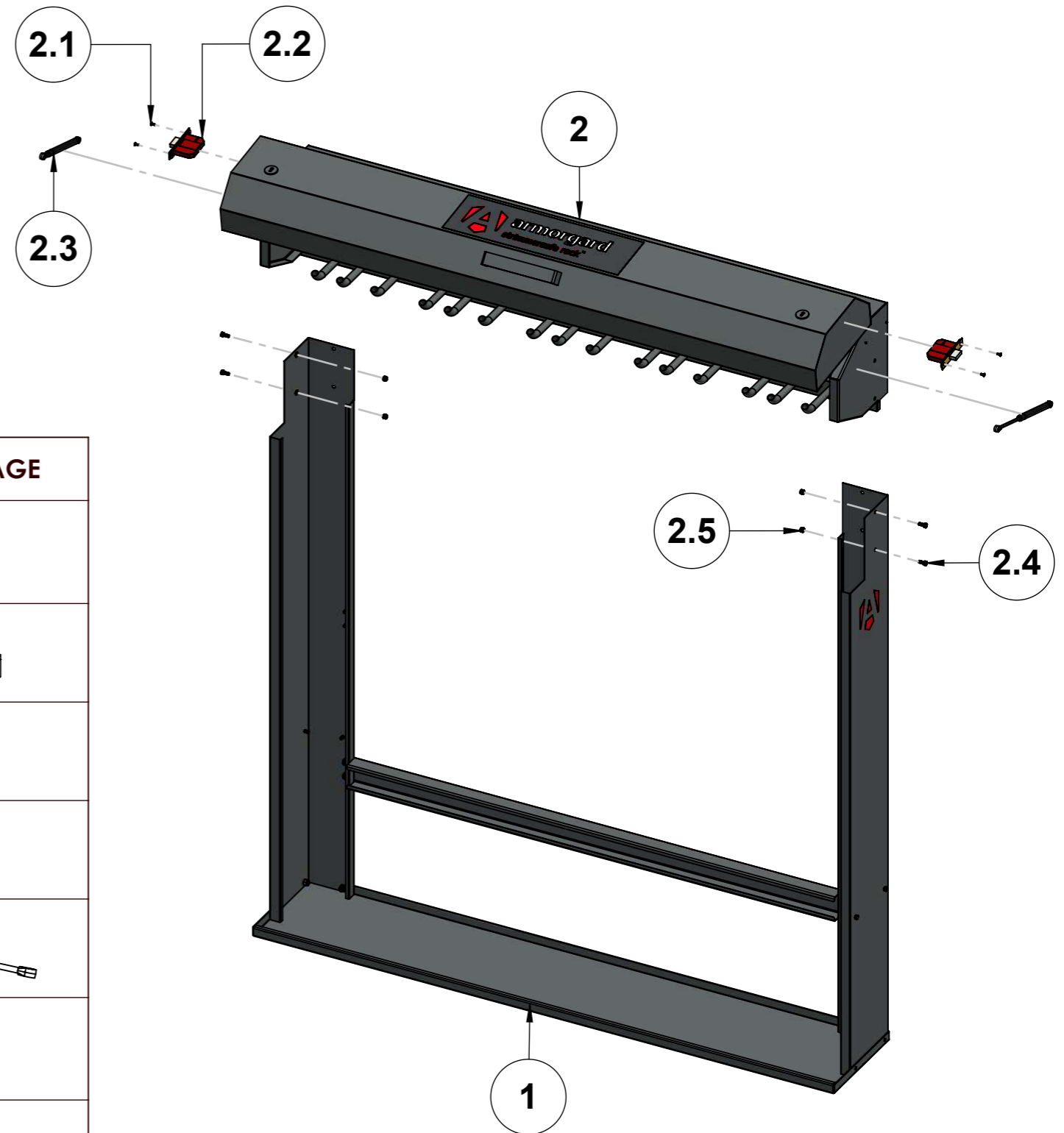


SPARE PARTS GUIDE



ITEM NO.	DESCRIPTION	PART #	REFERENCE IMAGE
1	STRIMMERSAFE RACK BASE UNIT 2026X373X1943	SSR6-BU	
2	STRIMMERSAFE RACK TOP UNIT	SSR6-TU	
2.1	BOLT - M5X16 SOCKET COUNTERSUNK SCREW, ZINC PLATED (HIGH TENSILE GRADE 10.9)	BLT-M5X16-H	
2.2	LOCK - PAIR OF 5-LEVER DEADLOCK, COMES WITH 4 KEYS	LOCK-DL2	
2.3	GAS STRUT - 300N, 135MM STROKE	G300S	
2.4	BOLT - M8 X 20 HEX HEAD SET SCREW, BZP STEEL	BLT-M8X20-H	
2.5	FIXING KIT - COMES WITH 16X M8 NYLOCS	M8-NUT-KIT	



PRODUCT NAME:
STRIMMERSAFE RACK - SSR6

PRODUCT VERSION:
P01

WEIGHT:
120KG

NOTES:

LAST DATE SAVED:

20/01/2025

THIS DRAWING MAY NOT BE COPIED, PUBLISHED OR TRANSMITTED TO A THIRD PARTY WITHOUT THE PRIOR WRITTEN CONSENT OF ARMORGARD LIMITED.

SPARE PARTS GUIDE

PRODUCT COLOUR:
RAL7021 DARK GREY

LEAD TIMES MAY VARY – PLEASE ENQUIRE

PAGE 1 of 1