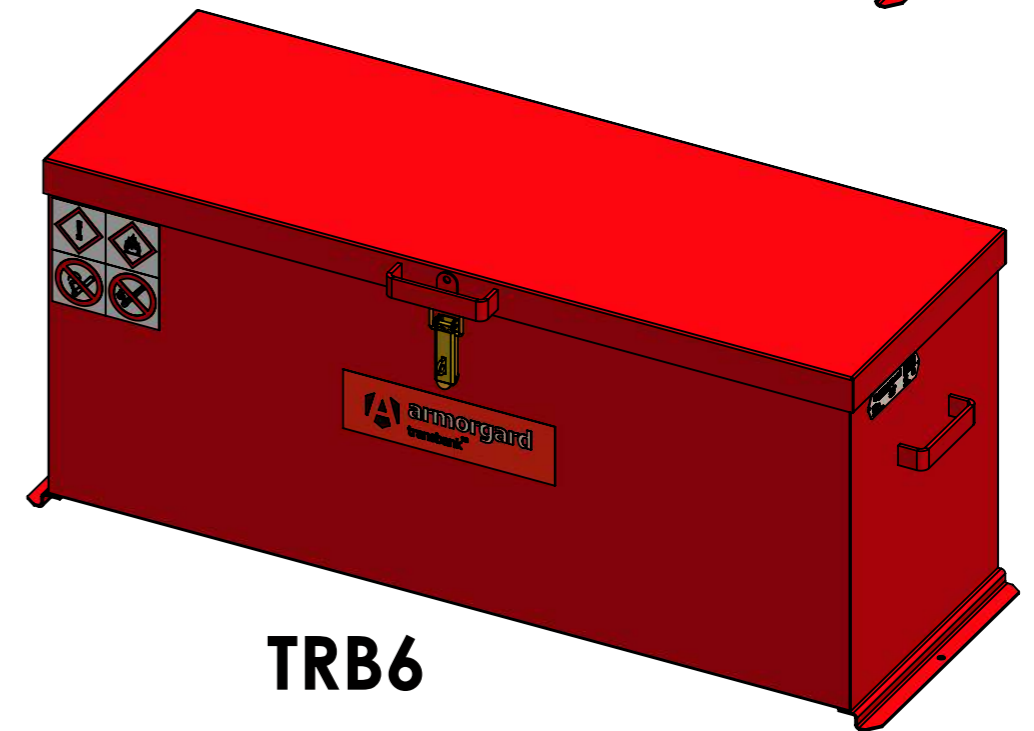
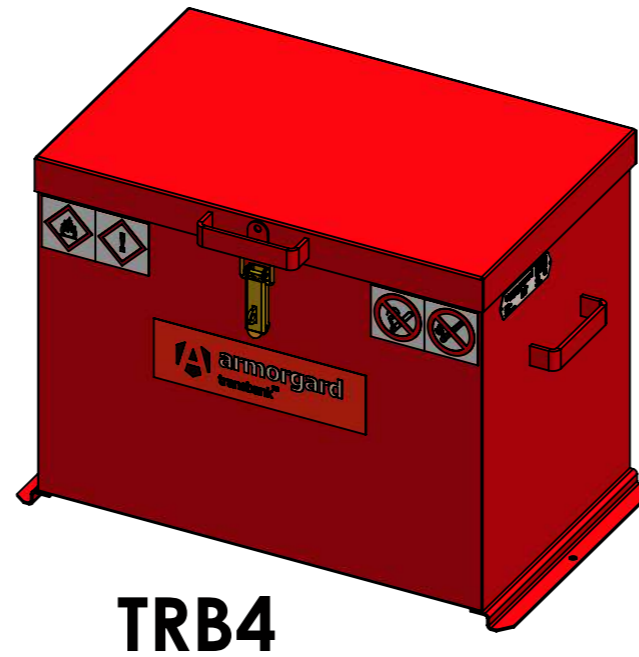
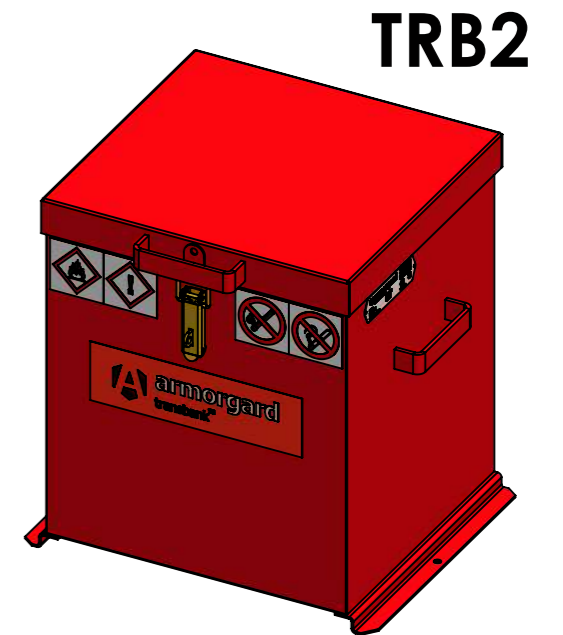
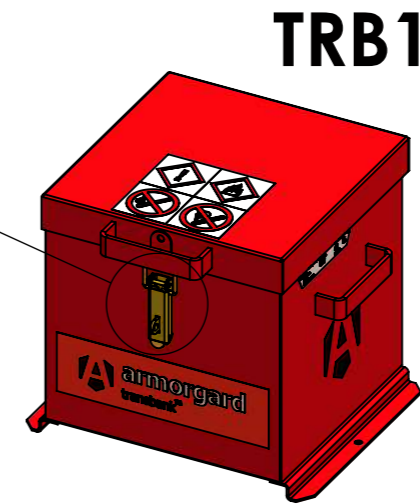
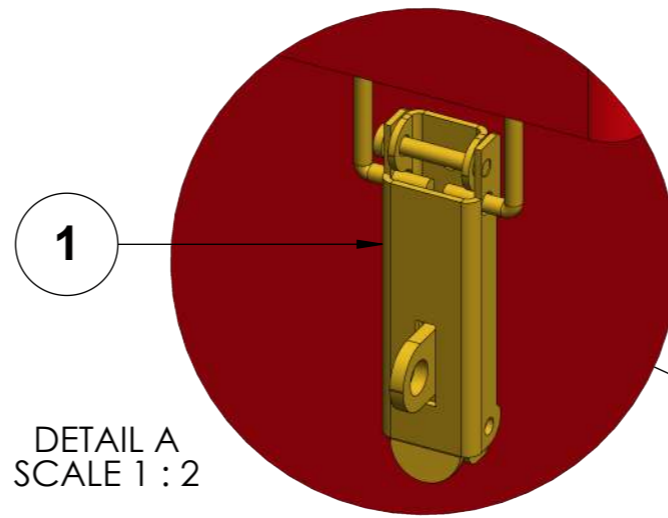
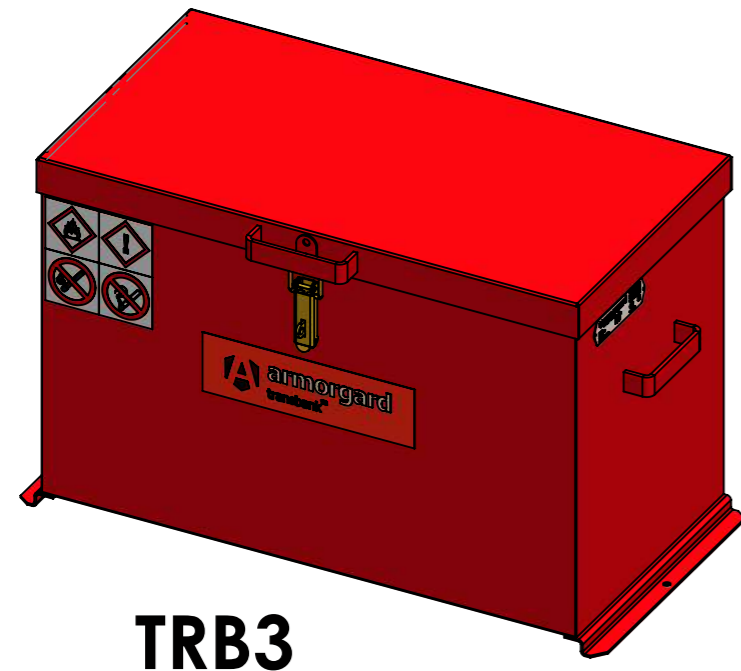


SPARE PARTS GUIDE



ITEM NO.	DESCRIPTION	PART #	REFERENCE IMAGE
1	OVERCENTRE LATCH WITH HOOK PLATE ZINC PLATED 50X123X32	OCL-1	



PRODUCT NAME:
TRANSBANK
TRB1 - TRB2 - TRB3 - TRB4 - TRB6

PRODUCT VERSION: P01
WEIGHT: 15-40KG

NOTES:

LAST DATE SAVED:
08/10/2024

THIS DRAWING MAY NOT BE COPIED, PUBLISHED OR TRANSMITTED TO A THIRD PARTY WITHOUT THE PRIOR WRITTEN CONSENT OF ARMORGARD LIMITED.

SPARE PARTS GUIDE

PRODUCT COLOUR:
RAL3020 RED

LEAD TIMES MAY VARY – PLEASE ENQUIRE