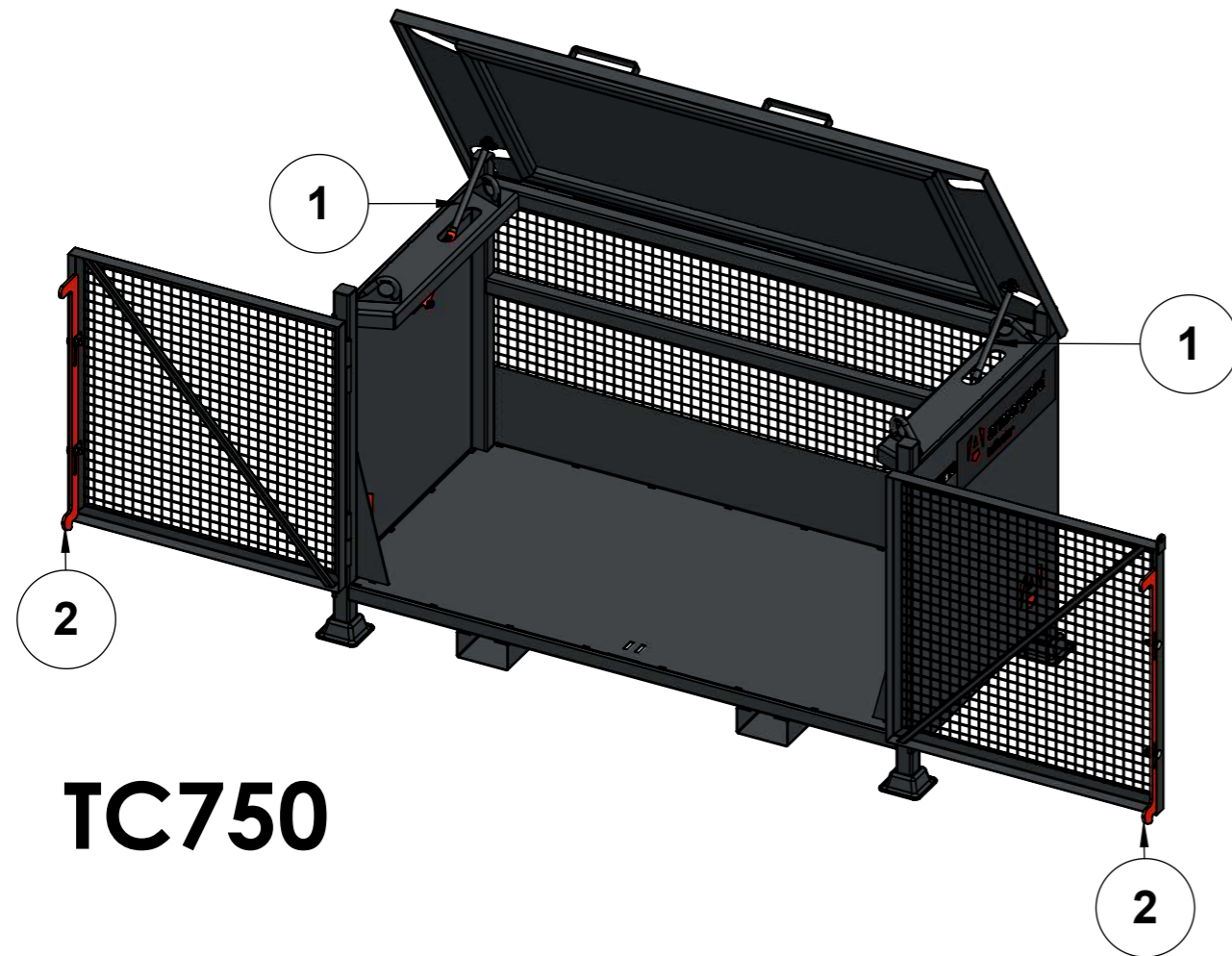
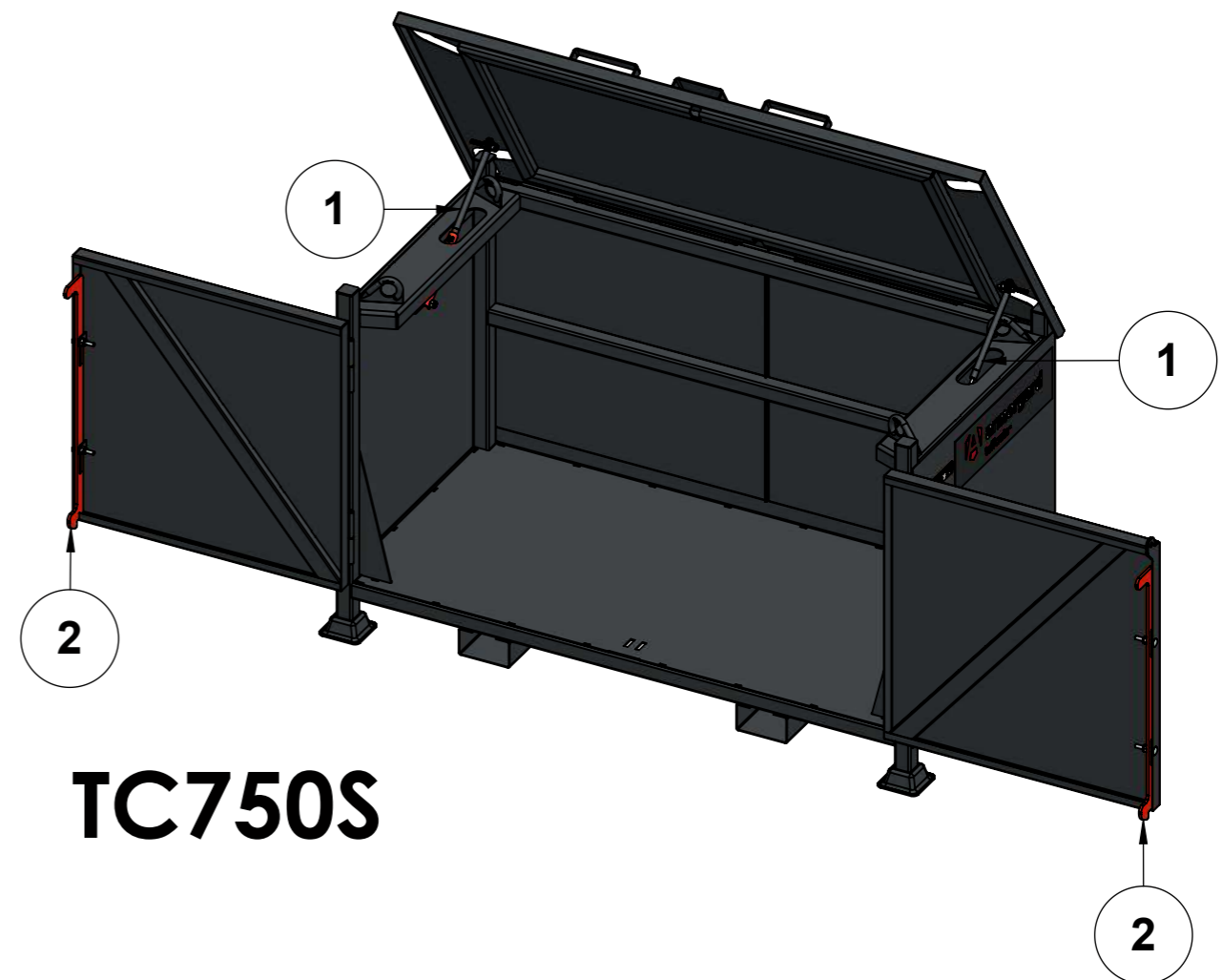


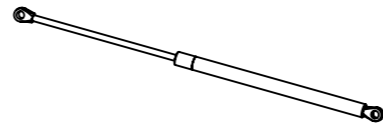
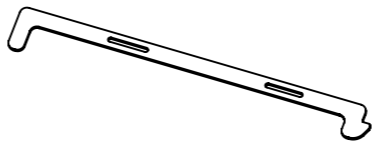
# SPARE PARTS GUIDE



**TC750**



**TC750S**

ITEM NO.	DESCRIPTION	PART #	REFERENCE IMAGE
1	GAS STRUT - 300N, 200mm STROKE	G300	
2	TUFFCRATE TC750-LCH LOCKING DOOR LATCH	TC750-LCH	



PRODUCT NAME:  
**TUFFCRATE - TC750 & TC750S**

PRODUCT VERSION: T01  
WEIGHT: 273<sub>KG</sub>

NOTES:

LAST DATE SAVED:  
13/11/2024

THIS DRAWING MAY NOT BE COPIED, PUBLISHED OR TRANSMITTED TO A THIRD PARTY WITHOUT THE PRIOR WRITTEN CONSENT OF ARMORGARD LIMITED.

SPARE PARTS GUIDE

PRODUCT COLOUR:  
RAL7021 DARK GREY

LEAD TIMES MAY VARY – PLEASE ENQUIRE

**PAGE 1 of 1**