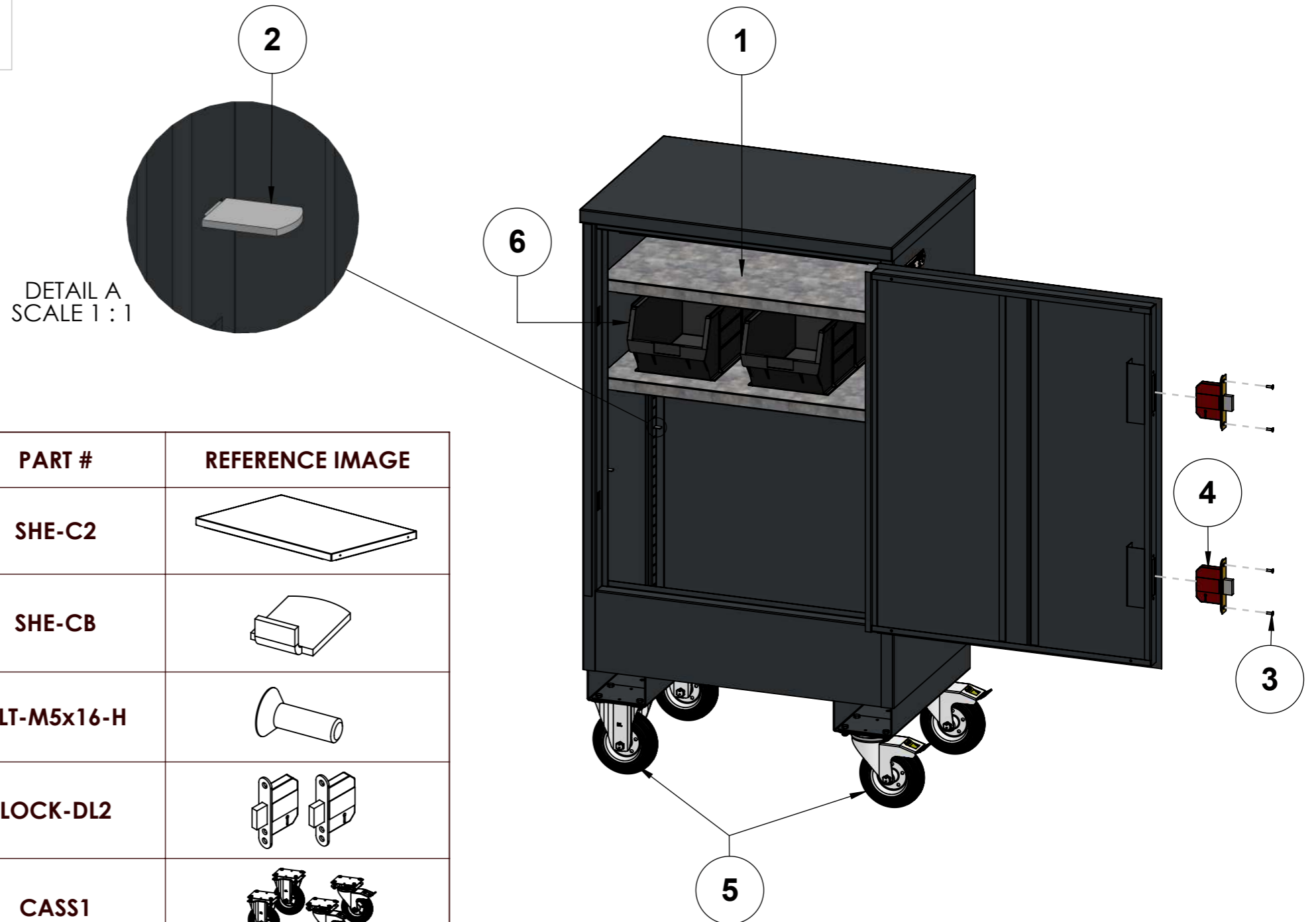


SPARE PARTS GUIDE



ITEM NO.	DESCRIPTION	PART #	REFERENCE IMAGE
1	SHELF - GALVANISED, COMES WITH 4 BRACKETS, FOR TSC2, FSC2, FC2	SHE-C2	
2	SHELF - BRACKET SET ONLY, COMES WITH 12 BRACKETS, FOR TSC, FSC, FC RANGES	SHE-CB	
3	BOLT- M5x16 SOCKET COUNTERSUNK SCREW, ZINC PLATED (HIGH TENSILE GRADE 10.9)	BLT-M5x16-H	
4	LOCK - PAIR OF 5-LEVER DEADLOCK, COMES WITH 4 KEYS	LOCK-DL2	
5	CASTER SET - 160mm BLACK WHEELS: 2X SWIVEL BRAKED, 2X FIXED; 4X CASTER PLATES, 16X M8 NYLOCS	CASS1	
6	LIN BIN FOR FC RANGE 205X350X178	FCB	



PRODUCT NAME:
TUFFSTOR CABINET - TSC2

PRODUCT VERSION:
P01

WEIGHT:
90kg

NOTES:

LAST DATE SAVED:

15/10/2024

THIS DRAWING MAY NOT BE COPIED, PUBLISHED OR TRANSMITTED TO A THIRD PARTY WITHOUT THE PRIOR WRITTEN CONSENT OF ARMORGARD LIMITED.

SPARE PARTS GUIDE

PRODUCT COLOUR:
RAL7021 DARK GREY

LEAD TIMES MAY VARY – PLEASE ENQUIRE

PAGE 1 of 1