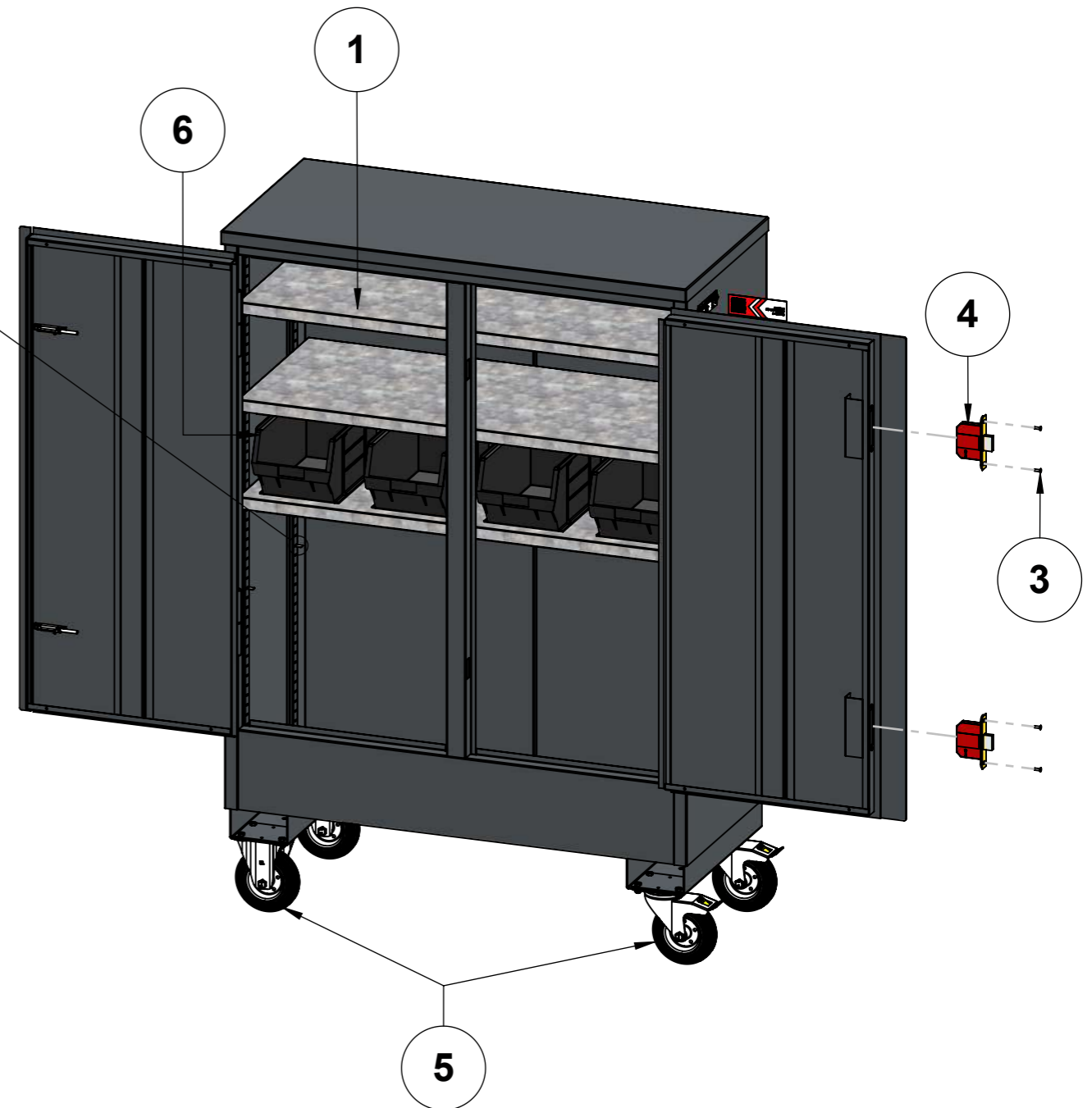
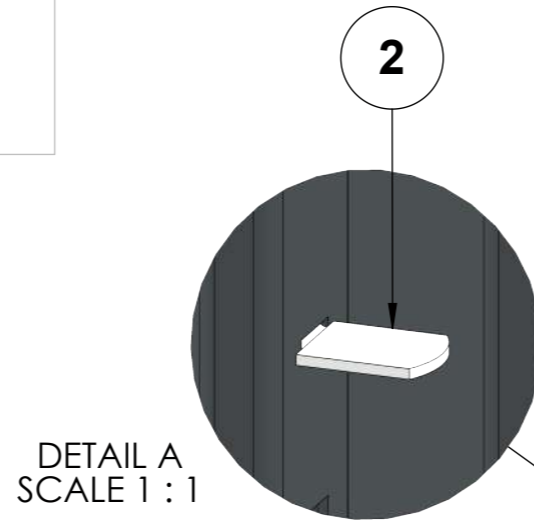

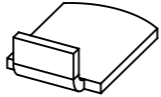
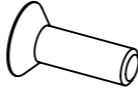
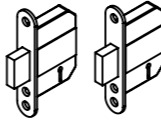
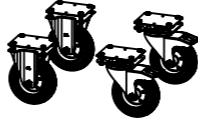
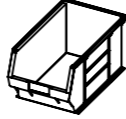


SPARE PARTS GUIDE



| ITEM NO. | DESCRIPTION | PART # | REFERENCE IMAGE |
|----------|--|-------------|---|
| 1 | SHELF - GALVANISED, COMES WITH 4 BRACKETS, FOR TSC3, FSC3, FC3 | SHE-C3 |  |
| 2 | SHELF - BRACKET SET ONLY, COMES WITH 12 BRACKETS, FOR TSC, FSC, FC RANGES | SHE-CB |  |
| 3 | BOLT- M5X16 SOCKET COUNTERSUNK SCREW, ZINC PLATED (HIGH TENSILE GRADE 10.9) | BLT-M5x16-H |  |
| 4 | LOCK - PAIR OF 5-LEVER DEADLOCK, COMES WITH 4 KEYS | LOCK-DL1 |  |
| 5 | CASTER SET - 160mm BLACK WHEELS: 2X SWIVEL BRAKED, 2X FIXED; 4X CASTER PLATES, 16X M8 NYLOCS | CASS1 |  |
| 6 | LIN BIN FOR FC RANGE 205X350X178 | FCB |  |



PRODUCT NAME:
TUFFSTOR CABINET - TSC3

PRODUCT VERSION:
P01

WEIGHT:
150KG

NOTES:

LAST DATE SAVED:

15/10/2024

THIS DRAWING MAY NOT BE COPIED, PUBLISHED OR TRANSMITTED TO A THIRD PARTY WITHOUT THE PRIOR WRITTEN CONSENT OF ARMORGARD LIMITED.

SPARE PARTS GUIDE

PRODUCT COLOUR:
RAL7021 DARK GREY

LEAD TIMES MAY VARY – PLEASE ENQUIRE

PAGE 1 of 1