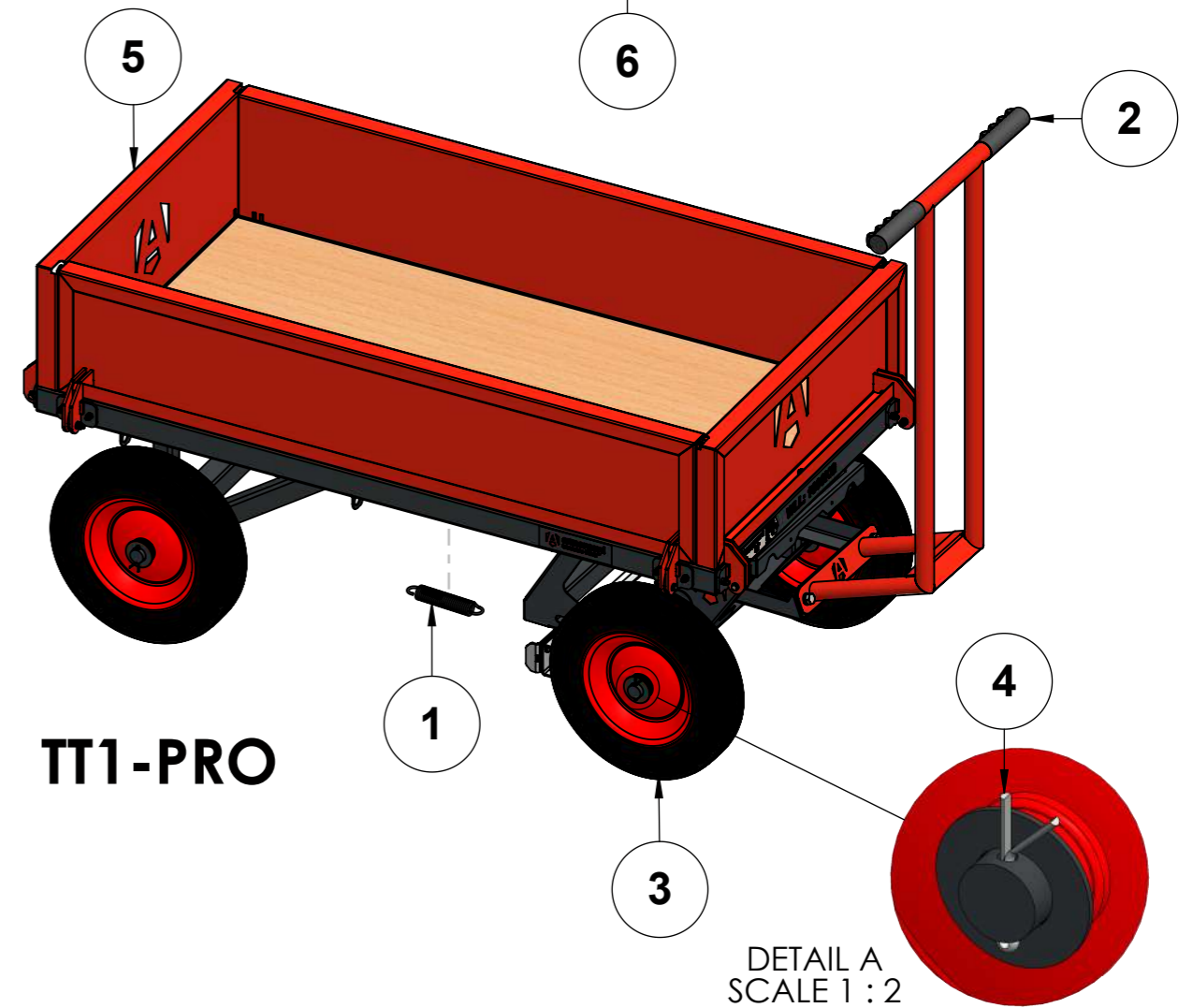
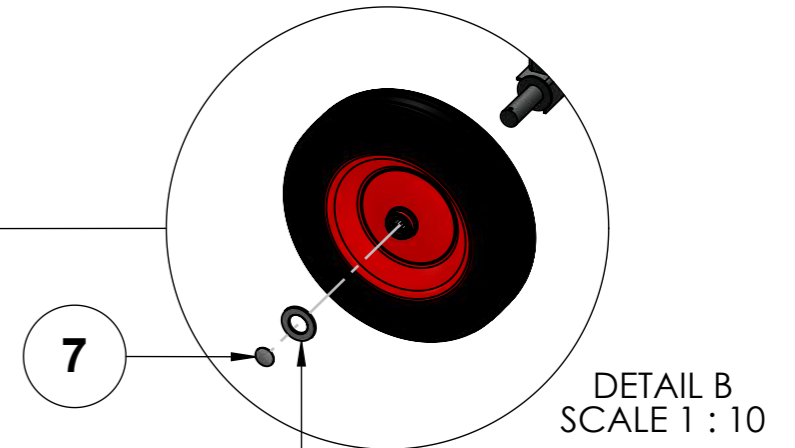
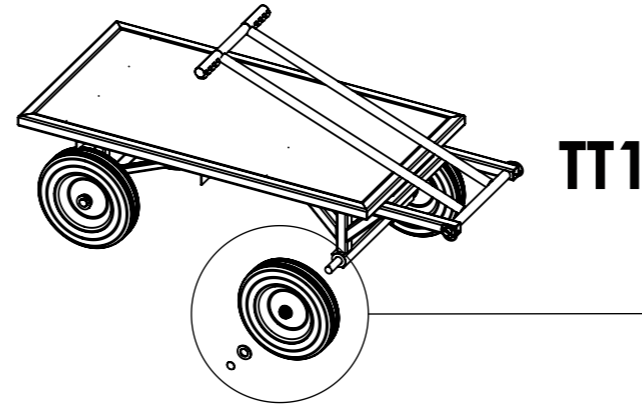
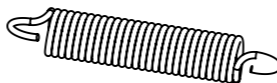
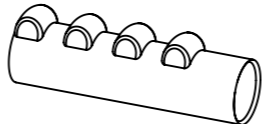


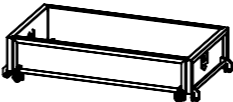
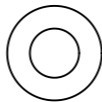



# SPARE PARTS GUIDE



ITEM NO.	DESCRIPTION	PART #	REFERENCE IMAGE
1	ZINC COATED EXTENSION SPRING D25.4MM RATE 4.46NMM L139MM (LE135J07M)	SPRG-25139	
2	HANDLE - BLACK RUBBER GRIP HANDLE, 120MM LENGTH, 32MM DIAMETER	HAN-GRP-32X120	
3	WHEEL - 350MM BLACK RUBBER ON RED STEEL, 300KG CAPACITY	WHL350	
4	SPLIT PIN - 5X50MM, BZP STEEL	PIN-SP-50	
5	TURNTABLE TRUCK TT1-SK SIDE KIT, COMES WITH 4X PANELS AND FIXING BRACKETS	TT1-SK	
6	WASHER - FLAT M27, BZP STEEL	WAS-M27-F	
7	WASHER - STAR CAP CLOSED RETAINER M25, (FOR AXLES)	WAS-M27-C	



PRODUCT NAME:  
**TURNTABLE TRUCK - TT1-PRO**

PRODUCT VERSION:  
P01

WEIGHT:  
70KG

NOTES:

LAST DATE SAVED:

29/10/2024

THIS DRAWING MAY NOT BE COPIED, PUBLISHED OR TRANSMITTED TO A THIRD PARTY WITHOUT THE PRIOR WRITTEN CONSENT OF ARMORGARD LIMITED.

SPARE PARTS GUIDE

PRODUCT COLOUR:  
RAL7021 DARK GREY &  
RAL3020 RED

LEAD TIMES MAY VARY – PLEASE ENQUIRE

**PAGE 1 of 1**