



fittingstor™

Product code: FC5

- » Secure cabinet designed for storing fittings and materials.
- » Bi-fold design for efficient use of space.
- » Powder coated finish for maximum durability.



Watch the
FittingStor in
action

Product features



Standard 6" castors



Forklift skids



Built-in handles



Padlock secured

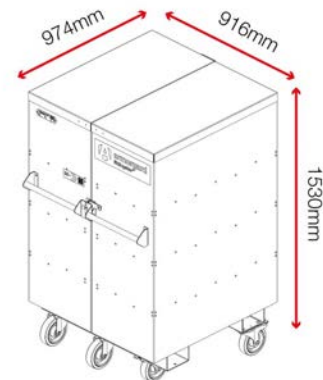


Suitable for site

Specifications

Weight	157kg
Colour	Black grey: RAL 7021, Traffic red: RAL 3020
Suitable for	Site
Finished coating	Powder coated
Material & thickness	1.5mm and 2mm steel
Quantity of keys	3 keys
Suitable for vehicle mounting	No
How are castors fitted?	Quick-fix bolt on castor kit
Other sizes available	4 other sizes
Qty of shelves as standard	6 riveted in shelves

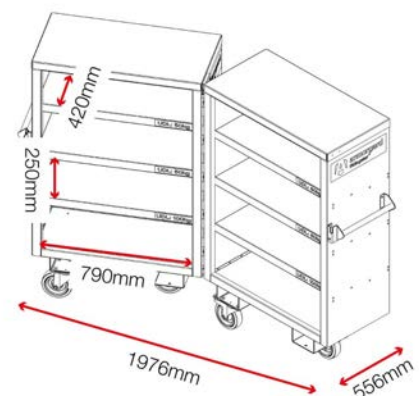
Dimensions - External dimensions includes protrusions



Optional extras - Contact Armorgard to find out more



Fittings bins FCB



Disclaimer: all dimensions and weights are approximate