



Barcode: 5060452080451

Version: v101.18



mobile tuffbench™

Product code: MBH12

- » Ideal workbench for many applications.
- » Customise it easily by attaching vices etc to the wooden surface.
- » Integral secure cabinet to lock away tools and equipment.



Watch the Mobile TuffBench in action

Product features



2x 5-lever deadlocks



Extra-heavy duty 160mm castors



Four way forklift skids



No detachable parts



Suitable for site

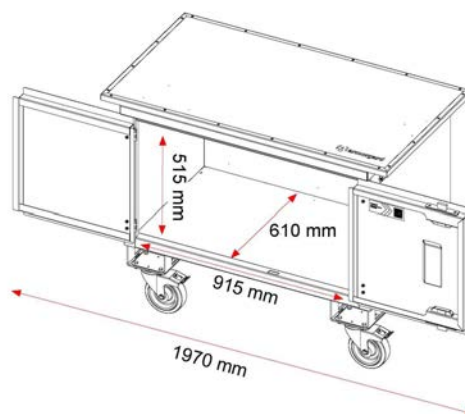
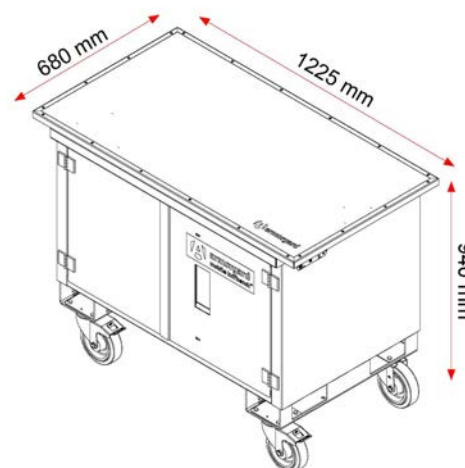


Weight load limit

Specifications

| | |
|-------------------------|---|
| Weight | 96kg |
| Colour | Black grey: RAL 7021 |
| Finished coating | Powder coated |
| Material & thickness | 2mm and 3mm steel |
| Quantity of keys | 2 keys |
| Does it have storage | Yes |
| How are castors fitted? | Quick-fix bolt on heavy-duty castor kit |

Dimensions - External dimensions includes protrusions



Optional extras - Contact Armorgard to find out more



Irwin Engineers Vice EV6



Irwin Chain Vice CV4

Disclaimer: all dimensions and weights are approximate