



powerstor™

Featuring F.I.R.E.E. Technology

Product code: PWR2

- » Safely charge Li-ion batteries on site with 32x sockets in a single, easily managed unit.
- » Lockable and secure walk-in 2m deep unit helps reduce tool theft.
- » Proactive and reactive features to tackle risk of Li-ion battery fire.



Product features



240V charging



2x 5-lever deadlocks



Audio alert



Automatic fire suppression



Lighting



Power supply 240V



Ventilation

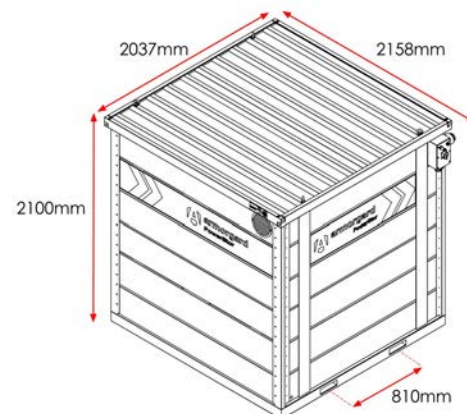


Visual alert

Specifications

Weight	540kg
Colour	Black grey: RAL 7021
Suitable for	Lithium-Ion battery charging
Finished coating	Galvanised and powder coated
Material & thickness	1mm and 2mm steel
Quantity of keys	3 keys
Suitable for vehicle mounting	No
How are castors fitted?	Not applicable
Other sizes available	1 other size
Qty of shelves as standard	5 shelves (515mm depth)

Dimensions - External dimensions includes protrusions



Optional extras - Contact Armorgard to find out more



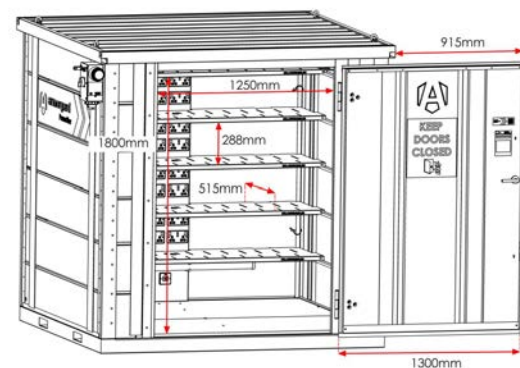
BlokkaBar FRBL2



Lockable Shelves FRLS2



Ramp FRR7



Disclaimer: all dimensions and weights are approximate

fire suppression systems



Armorgard PowerStor

The PowerStor is a walk-in container with automatic fire suppression. Designed to suppress Lithium-Ion battery fires, it uses a powder suppression system that targets the source of a Lithium battery fire.



Information



Certification

EN15276-1

BSI Kitemark (BRL-K23001-04)

EPA SNAP listing

KIWA BRL K23001

ATEX

CE Declaration of Conformity

ISO 15779

UL 2775

NFPA 2010

AS 4487

ISO9094

Environmentally safe.

The PowerStor is a useful shelved container with 230V charging points throughout. Designed to safely charge Lithium-Ion batteries, the PowerStor contains a fire safety system designed to suppress Lithium-Ion battery fires.

The system works best in enclosed spaces, and pairs well with the PowerStor container format. Any fire will trigger the system automatically, and has been stringently tested in various real life scenarios.

The suppressant is made up of a solid aerosol compound, which is stable and safe. When triggered, a starter device activates the compound, expelling a powder suppressant which remains airborne for over 40 minutes.

Environmentally friendly, the aerosol suppressant has no harmful long lasting effects to humans, animals, or plant life.



Fire Safety

The PowerStor Fire System is suitable for type A, B, and C (EN2 / NFPA) fires, as well as Lithium fires.

The PowerStor Fire System is an unpressurised system. The door must remain closed when not in use, because dissipation of the powder suppressant will reduce its effectiveness.

When a fire breaks out, the heat triggers the system automatically with no need for power or manual intervention.

The PowerStor Fire System uses a special agent that interrupts the chemical reaction in a Lithium-Ion battery fire. This helps prevent any re-ignition of the fire.

The PowerStor Fire System has a guaranteed lifetime of 15 years, and very little maintenance is required.

