



tuffstor cabinet™

Product code: TSC2

- » Ultra-tough cabinet designed to keep tools and equipment secure.
- » Adjustable shelves keep equipment organised and accessible.
- » Designed with the advantage of using less floor space.



Product features



2x 5-lever
deadlocks



Forklift skids



Built-in handles

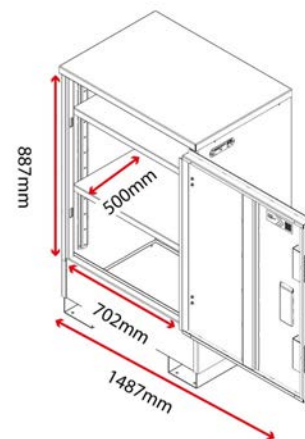
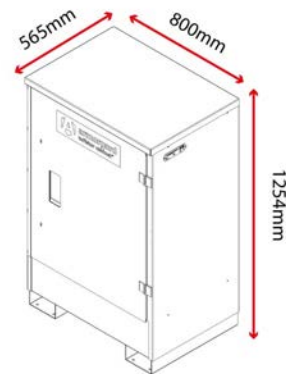


Suitable for site

Specifications

Weight	80kg
Colour	Black grey: RAL 7021
Suitable for	Site
Finished coating	Powder coated
Material & thickness	1.6mm and 2mm steel
Quantity of keys	2 keys
Suitable for vehicle mounting	Yes
How are castors fitted?	Quick-fix bolt on castor kit
Other sizes available	4 other sizes
Qty of shelves as standard	2 shelves

Dimensions - External dimensions includes protrusions



Optional extras - Contact Armorgard to find out more



Fittings bins FCB



Shelf SHE-C2



Castor Kit CASS1

Disclaimer: all dimensions and weights are approximate